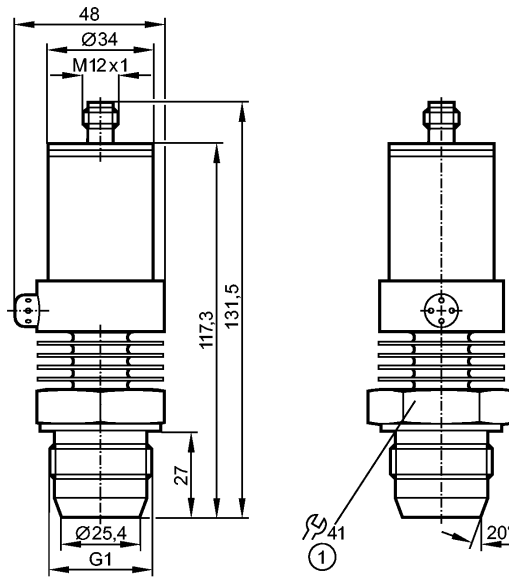


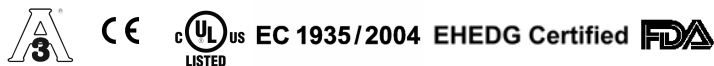
PM2654

PM-010-REA01-E-ZVG/US/ /P

Pressure sensors



1: tightening torque 20 Nm



Product characteristics

Electronic pressure sensor
Quick disconnect
no dead space
Zero and span adjustable
Programmable via EPS interface
Sealing cone G 1 male
Process connection: Sealing cone G 1 male
Analog output
Measuring range: -0.5...10 bar / -7...145 psi / -50...1000 kPa

Application

Application	Type of pressure: relative pressure Hygienic systems, viscous media and liquids with suspended particles Liquids and gases		
Pressure rating	50 bar	725 psi	5000 kPa
Bursting pressure min.	150 bar	2175 psi	15000 kPa
Medium temperature [°C]	-25...125 (145 max. 1h)		

Electrical data

Electrical design	2-wire DC; 3-wire DC
Operating voltage [V]	14...30 DC
Insulation resistance [MΩ]	> 100 (500 V DC)
Protection class	III
Reverse polarity protection	yes

Outputs

Output	Analog output
Output function	4...20 mA analog
Overload protection	yes
Analog output	4...20 mA
Max. load [Ω]	max. (U _b - 13 V) / 20 mA; 550 at U _b = 24 V

PM2654

PM-010-REA01-E-ZVG/US/ /P

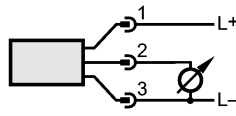
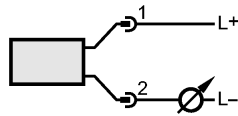
Pressure sensors

Measuring / setting range			
Measuring range	-0.5...10 bar	-7...145 psi	-50...1000 kPa
Setting range			
Analog start point, ASP	-0.50...7.49 bar	-7...109 psi	-50...749 kPa
Analog end point, AEP	2.0...9.99 bar	29...145 psi	200...999 kPa
in steps of	0.01 bar	1 psi	1 kPa
Factory setting	ASP = 0.00 bar; AEP = 10.00 bar		
Accuracy / deviations			
Accuracy / deviations (in % of the span) Turn down 1:1			
Characteristics deviation *)	< ± 0.6		
Linearity	< ± 0.5		
Hysteresis	< ± 0.1		
Repeatability **)	< ± 0.1		
Long-term stability ***)	< ± 0.1		
Temperature coefficients (TEMPCO) in the temperature range 0...80° C (in % of the span per 10 K)			
Greatest TEMPCO of the zero point	< ± 0.1		
Greatest TEMPCO of the span	< ± 0.2		
Reaction times			
Response time analog output [ms]	3		
Environment			
Ambient temperature [°C]	-25...80		
Storage temperature [°C]	-40...100		
Protection	IP 67		
Tests / approvals			
EMC	EN 61000-4-2 ESD:	4 kV CD / 8 kV AD	
	EN 61000-4-3 HF radiated:	10 V/m	
	EN 61000-4-4 Burst:	2 kV	
	EN 61000-4-6 HF conducted:	10 V	
Shock resistance	DIN IEC 68-2-27:	50 g (11 ms)	
Vibration resistance	DIN IEC 68-2-6:	20 g (10...2000 Hz)	
MTTF [Years]	271		
Mechanical data			
Process connection	Sealing cone G 1 male		
Materials (wetted parts)	ceramics (99.9 % Al ₂ O ₃); PTFE; stainless steel 316L / 1.4435; surface characteristics: Ra < 0.4 / Rz 4		
Housing materials	stainless steel 316L / 1.4404; PEI; FPM (Viton)		
Min. pressure cycles	100 million		
Weight [kg]	0.528		
Electrical connection			
Connection	M12 connector; gold-plated contacts		
Wiring			

PM2654

PM-010-REA01-E-ZVG/US/ /P

Pressure sensors



Remarks

Remarks

*) linearity, incl. hysteresis and repeatability;
 (limit value setting to DIN 16086)
 **) with temperature fluctuations < 10 K
 ***) in % of the span per year
 The 3-A qualification is only valid if adapters with 3-A qualification are used for installation.

Pack quantity

[piece]

1