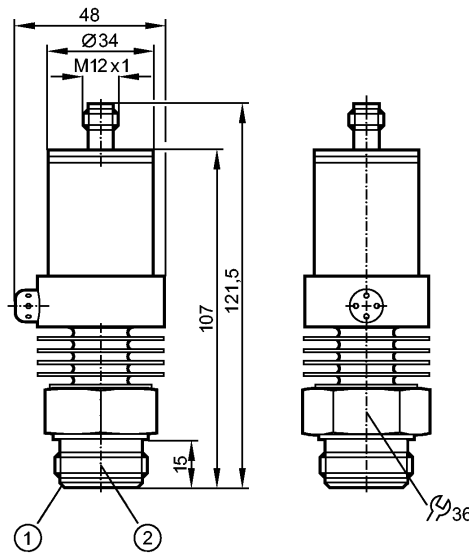


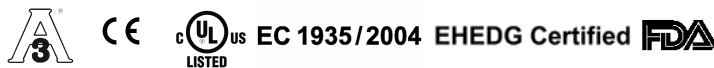
**PM2056**

PM-2.5-RES30-E-ZVG/US/ /P

Pressure sensors



- 1: Aseptoflex sealing edge
- 2: Aseptoflex thread



**Product characteristics**

Electronic pressure sensor
Quick disconnect
no dead space
Zero and span adjustable
Programmable via EPS interface
Process connection: for Aseptoflex adapter
Analog output
Measuring range: -0.13...2.50 bar / -1.8...36.3 psi / -13...250 kPa

**Application**

Application	Type of pressure: relative pressure Hygienic systems, viscous media and liquids with suspended particles Liquids and gases		
Pressure rating	20 bar	290 psi	2000 kPa
Bursting pressure min.	50 bar	725 psi	5000 kPa
Medium temperature [°C]	-25...125 (145 max. 1h)		

**Electrical data**

Electrical design	DC
Operating voltage [V]	14...30 DC
Insulation resistance [MΩ]	> 100 (500 V DC)
Protection class	III
Reverse polarity protection	yes

**Outputs**

Output	Analog output
Output function	4...20 mA analog
Overload protection	yes
Analog output	4...20 mA
Max. load [Ω]	max. (Ub - 13 V) / 20 mA; 550 at Ub = 24 V

**Measuring / setting range**



**PM2056**

PM-2.5-RES30-E-ZVG/US/ /P

**Pressure sensors**

Measuring range	-0.13...2.50 bar	-1.8...36.3 psi	-13...250 kPa
Setting range			
Analog start point, ASP	-0.13...1.88 bar	-1.8...27.2 psi	-13...188 kPa
Analog end point, AEP	0.50...2.50 bar	7.3 ...36.3 psi	50...250 kPa
in steps of	0.01 bar	0.1 psi	1 kPa
Factory setting	ASP = 0.0 bar; AEP = 2.50 bar		

**Accuracy / deviations**

Accuracy / deviations  
(in % of the span) Turn down 1:1

Characteristics deviation *)	< ± 0.6
Linearity	< ± 0.5
Hysteresis	< ± 0.1
Repeatability **)	< ± 0.1
Long-term stability ***)	< ± 0.1

Temperature coefficients (TEMPCO) in the temperature range 0...80° C (in % of the span per 10 K)

Greatest TEMPCO of the zero point	< ± 0.1
Greatest TEMPCO of the span	< ± 0.2

**Reaction times**

Response time analog output [ms]	3
----------------------------------	---

**Environment**

Ambient temperature [°C]	-25...80
Storage temperature [°C]	-40...100
Protection	IP 67

**Tests / approvals**

EMC	EN 61000-4-2 ESD:	4 kV CD / 8 kV AD
	EN 61000-4-3 HF radiated:	10 V/m
	EN 61000-4-4 Burst:	2 kV
	EN 61000-4-6 HF conducted:	10 V
Shock resistance	DIN IEC 68-2-27:	50 g (11 ms)
Vibration resistance	DIN IEC 68-2-6:	20 g (10...2000 Hz)
MTTF [Years]		271

**Mechanical data**

Process connection	for Aseptoflex adapter
Materials (wetted parts)	ceramics (99.9 % Al <sub>2</sub> O <sub>3</sub> ); PTFE; stainless steel 316L / 1.4404; surface characteristics: Ra < 0.4 / Rz 4
Housing materials	stainless steel 316L / 1.4404; PEI; FPM (Viton)
Min. pressure cycles	100 million
Weight [kg]	0.466

**Electrical connection**

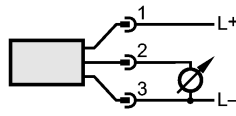
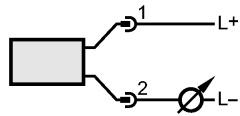
Connection	M12 connector; gold-plated contacts
------------	-------------------------------------

**Wiring**

**PM2056**

PM-2.5-RES30-E-ZVG/US/ /P

Pressure sensors



**Remarks**

Remarks

\*) linearity, incl. hysteresis and repeatability;  
 (limit value setting to DIN 16086)  
 \*\*) with temperature fluctuations < 10 K  
 \*\*\*) in % of the span per year  
 The 3-A qualification is only valid if adapters with 3-A qualification are used for installation.

Pack quantity

[piece]

1