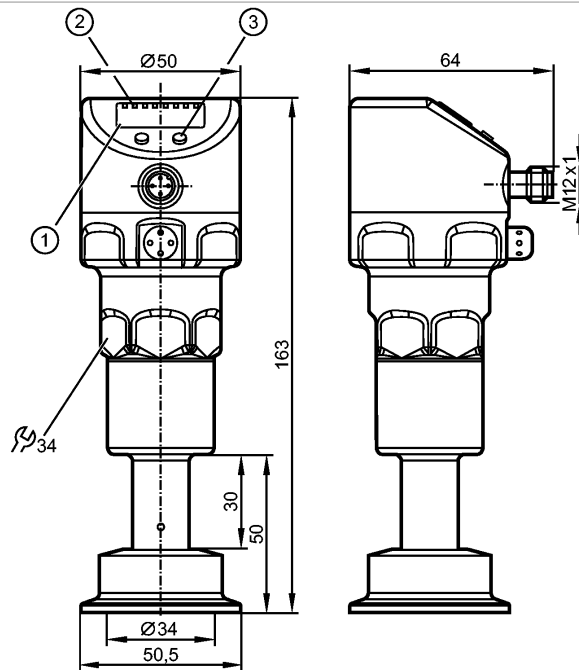


**PI2203**

PI-025-REZ01-MFRKG/US/ /P

Pressure sensors



- 1: 4-digit alphanumeric display
- 2: status LEDs
- 3: Programming button



**IO-Link**

Including free 6-point calibration verification certificate.

**Product characteristics**

Combined pressure sensor
Quick disconnect
Function programmable
Membrane diameter: 34 mm
Fill liquid for pressure transmission: Food grade oil (FDA conforming)
Process connection: Clamp DN 38 / 1½"
2-wire connection technology: analogue output
3-wire connection technology: 2 outputs OUT1 = switching output OUT2 = switching output or analogue output
4-digit alphanumeric display
Measuring range: -1.00...25.00 bar / -14.4...362.7 psi / -0.100...2.500 MPa

**Application**

Application	Type of pressure: relative pressure Hygienic systems, viscous media and liquids with suspended particles Liquids and gases		
Pressure rating	80 bar	1160 psi	8 MPa
Bursting pressure min.	150 bar	2175 psi	15 MPa
Medium temperature [°C]	-25...200 ****) / -25...160 *****)		

**Electrical data**

Electrical design	2 wires DC / 3 wires DC PNP/NPN		
Operating voltage [V]	20...32 DC (2L) / 18...32 DC (3L)		

**PI2203**

PI-025-REZ01-MFRKG/US/ /P

**Pressure sensors**

Current consumption	[mA]	3.6...21 (2L) / < 45 (3L)
Insulation resistance	[MΩ]	> 100 (500 V DC)
Protection class		III
Reverse polarity protection		yes

**Outputs**

Output		2-wire connection technology: analogue output 3-wire connection technology: 2 outputs OUT1 = switching output OUT2 = switching output or analogue output
Output function		1 x normally open / normally closed programmable + 1 x normally open / normally closed programmable or 1 x analog (4...20 / 20...4 mA, scalable)
Current rating	[mA]	250; (3L)
Voltage drop	[V]	2; (3L)
Short-circuit protection		yes (non-latching)
Overload protection		yes
Switching frequency	[Hz]	--- (2L) / 125 (3L)
Analog output		I: 4...20 mA (Ineg: 20...4 mA)
Max. load	[Ω]	2L: 300 3L: max. (U <sub>b</sub> - 10 V) / 20 mA

**Measuring / setting range**

Display unit	bar, psi, MPa, % der Spanne		
Measuring range	-1.00...25.00 bar	-14.4...362.7 psi	-0.100...2.500 MPa
Setting range			
Set point, SP	-0.96...25.00 bar	-13.8...362.7 psi	-0.096...2.500 MPa
Reset point, rP	-1.00...24.96 bar	-14.4...362.1 psi	-0.100...2.496 MPa
Analog start point, ASP	-1.00...18.74 bar	-14.4...271.8 psi	-0.100...1.874 MPa
Analog end point, AEP	5.24...25.00 bar	76.2...362.7 psi	0.524...2.500 MPa
in steps of	0.02 bar	0.3 psi	0.002 MPa
Factory setting	SP1 = 6.24 bar; rP1 = 5.74 bar SP2 = 18.74 bar; rP2 = 18.24 bar ASP = 0.00 bar; AEP = 25.00 bar		

**Accuracy / deviations**

Accuracy / deviations (in % of the span) Turn down 1:1	
Switch point accuracy	< ± 0.2
Characteristics deviation *)	< ± 0.2
Linearity	< ± 0.15
Hysteresis	< ± 0.15
Repeatability **)	< ± 0.1
Long-term stability ***)	< ± 0.1
Temperature coefficients (TEMPCO) in the temperature range 0...200° C (in % of the span per 10 K)	
Greatest TEMPCO of the zero point	< ± 0.2
Greatest TEMPCO of the span	< ± 0.15

**Reaction times**

Power-on delay time	[s]	1 (2L) / 0.5 (3L)
Min. response time switching output	[ms]	--- (2L) / 3 (3L)



**PI2203**

PI-025-REZ01-MFRKG/US/ /P

**Pressure sensors**

Damping for the switching output (dAP) [s]	0.00...30.00
Damping for the analog output (dAA) [s]	0.01...99.99
Step response time analogue output [ms]	45 (2L) / 7 (3L)
Integrated watchdog	yes

**Interfaces**

IO-Link Device	
Transfer type	COM2 (38.4 kBaud)
IO-Link revision	1.0
SDCI standard	IO-Link Communication Specification, Version 1.0, January 2009, Ordner No: 10.002
IO-Link Device ID	102 d / 00 00 66 h
Profiles	no profile
SIO mode	yes
Required master port class	A
Process data analogue	1
Process data binary	2
Min. process cycle time [ms]	2.3

**Environment**

Ambient temperature [°C]	-25...80, at max. 160 °C medium temperature (-25...60 °C at max. 200 °C medium temperature)
Storage temperature [°C]	-25...100
Protection	IP 67 / IP 68 / IP 69K

**Tests / approvals**

EMC	DIN EN 61000-6-2 DIN EN 61000-6-3
Shock resistance	DIN EN 60068-2-27 50 g (11 ms)
Vibration resistance	DIN EN 60068-2-6 20 g (10...2000 Hz)
MTTF [Years]	142

**Mechanical data**

Process connection	Clamp DN 38 / 1½"
Materials (wetted parts)	1.4435; (V4A / 316L)
Surface characteristics Ra / Rz of the wetted part(s)	< 0.38 / -
Housing materials	316L stainless steel / 1.4404 (V4A / 316L); 1.4435 (V4A / 316L); PBT; PEI; PFA
Switching cycles min.	10 million
Weight [kg]	0.923

**Displays / operating elements**

Display	Display unit LED green Switching status LED yellow Function display 4-digit alphanumeric display Measured values 4-digit alphanumeric display
---------	--

**Electrical connection**

Connection	M12 connector; gold-plated contacts
------------	-------------------------------------

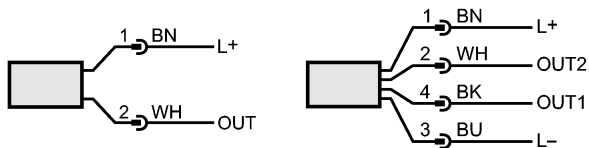
**Wiring**

**PI2203**

PI-025-REZ01-MFRKG/US/ /P

**Pressure sensors**

Core colors  
 BK black  
 BN brown  
 BU blue  
 WH white



(2L)= OUT: 4...20 mA / 20...4 mA  
 (3L)= OUT1: switching output or IO-Link  
 (3L)= OUT2: switching output / 4...20 mA / 20...4 mA  
 Colours to DIN EN 60947-5-2

Remarks	
Remarks	(2L) = value for 2-wire operation (3L) = value for 3-wire operation *) linearity, incl. hysteresis and repeatability; (limit value setting to DIN 16086) **) with temperature fluctuations < 10 K ***) in % of the span per year ****) at max. 65 °C ambient temperature *****) at max. 80 °C ambient temperature 1) Depends on lubrication, seal and pressure rating
Pack quantity	1