

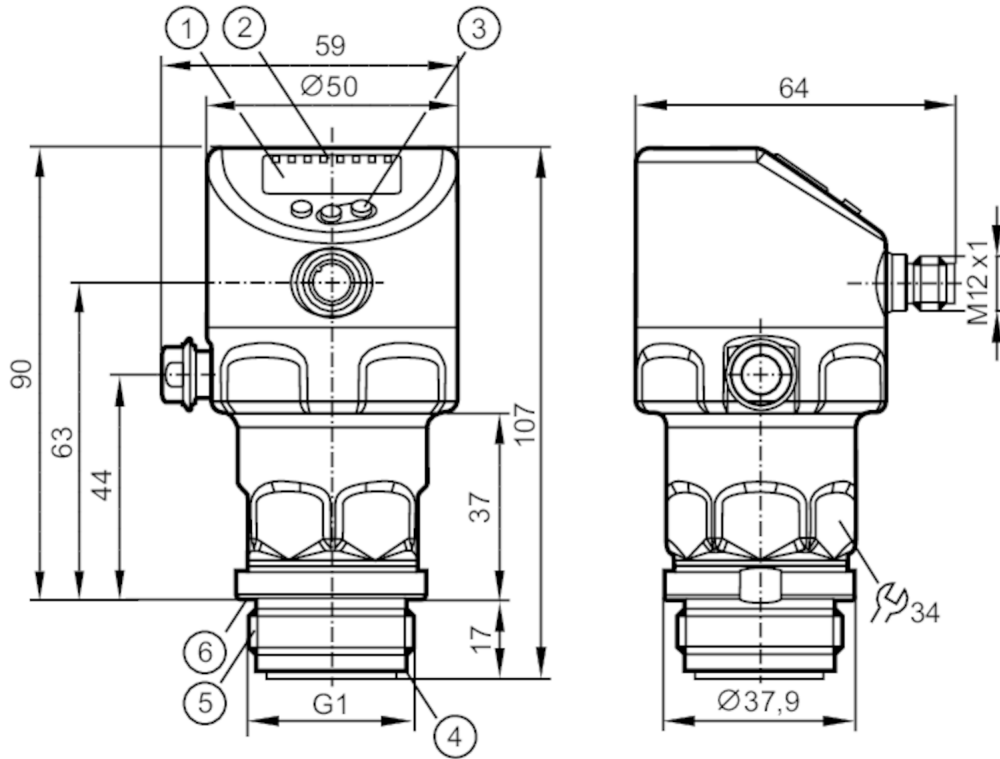
PI1706



Flush pressure sensor with display

PI-2,5-REA01-MFRKG/US/ IP

When selecting an alternative article and accessories please note that technical data may differ!



- 1 alphanumeric display 4-digit
- 2 status LEDs
- 3 Programming button
- 4 groove for sealing ring
- 5 external thread G1 Aseptoflex Vario
- 6 groove with sealing ring (DIN 3869-33)



ACS



UL LISTED

us

EC 1935/2004

EHDG Certified

FCM

FDA

IO-Link

Reg31

UK

CA

Product characteristics

Number of inputs and outputs	Number of digital outputs: 2; Number of analog outputs: 1			
Measuring range	-0.124...2.5 bar	-1.8...36.25 psi	-50...1004 inH2O	-12.4...250 kPa
Process connection	threaded connection G 1 external thread Aseptoflex Vario			

Application

System	gold-plated contacts		
Application	flush mountable for the food and beverage industry		
Media	viscous media and liquids with suspended particles; liquids and gases		
Medium temperature [°C]	-25...150		
Min. bursting pressure	50 bar	725 psi	5000 kPa
Pressure rating	20 bar	290 psi	2000 kPa
Vacuum resistance [mbar]	-1000		
Type of pressure	relative pressure; vacuum		
No dead space	yes		

Electrical data

Min. insulation resistance [MΩ]	100; (500 V DC)
---------------------------------	-----------------

PI1706



Flush pressure sensor with display

PI-2,5-REA01-MFRKG/US/ IP

Protection class	III
Reverse polarity protection	yes
Integrated watchdog	yes

2-wire	
Operating voltage [V]	20...30 DC
Current consumption [mA]	3.5...21.5
Power-on delay time [s]	< 1

3-wire	
Operating voltage [V]	18...30 DC
Current consumption [mA]	5...45; (430 bei max. Laststrom)
Power-on delay time [s]	< 0.5

Inputs / outputs

Number of inputs and outputs	Number of digital outputs: 2; Number of analog outputs: 1
------------------------------	---

Outputs

Total number of outputs	2
Output signal	switching signal; analog signal; IO-Link
Electrical design	PNP/NPN
Number of digital outputs	2
Output function	normally open / closed; (configurable)
Number of analog outputs	1
Analog current output [mA]	4...20, invertible; (scalable)
Short-circuit protection	yes
Type of short-circuit protection	yes (non-latching)
Overload protection	yes

2-wire	
Max. load [Ω]	300

3-wire	
Max. voltage drop switching output DC [V]	2
Permanent current rating of switching output DC [mA]	100
Switching frequency DC [Hz]	125
Max. load [Ω]	($U_b - 10\text{ V}$) / 21,5 mA; 650 Ω ($U_b = 24\text{ V}$)

Measuring/setting range

Measuring range	-0.124...2.5 bar	-1.8...36.25 psi	-50...1004 inH2O	-12.4...250 kPa
Set point SP	-0.12...2.5 bar	-1.74...36.26 psi	-48...1004 inH2O	-12...250 kPa
Reset point rP	-0.124...2.496 bar	-1.8...36.2 psi	-50...1002 inH2O	-12.4...249.6 kPa
Analog start point	-0.124...1.994 bar	-1.8...28.92 psi	-50...801 inH2O	-12.4...199.4 kPa
Analog end point	0.382...2.5 bar	5.54...36.26 psi	153...1004 inH2O	38.2...250 kPa
Min. difference between SP and rP	0.004 bar	0.06 psi	2 inH2O	0.4 kPa
In steps of	0.001 bar	0.01 psi	1 inH2O	0.1 kPa

PI1706



Flush pressure sensor with display

PI-2,5-REA01-MFRKG/US/ IP

Factory setting	SP1 = 0.625 bar	rP1 = 0.575 bar
	SP2 = 1.875 bar	rP2 = 1.825 bar
	ASP = 0.00 bar	AEP = 2.50 bar
	dAP = 2.00 s	dAA = 2.00 s

Temperature monitoring		
Measuring range	-25...150 °C	-13...302 °F

Accuracy / deviations

Switch point accuracy [% of the span]	< ± 0,2; (DIN EN IEC 62828-1; Turn down 1:1)	
Repeatability [% of the span]	< ± 0,1; (with temperature fluctuations < 10 K; Turn down 1:1)	
Characteristics deviation [% of the span]	< ± 0,2; (DIN IEC EN 62828-1 incl. zero point and span error, non-linearity, hysteresis; Turn down 1:1)	
Linearity deviation [% of the span]	< ± 0,15; (Turn down 1:1)	
Hysteresis deviation [% of the span]	< ± 0,15; (Turn down 1:1)	
Long-term stability [% of the span]	< ± 0,1; (Turn down 1:1; per year)	
Total deviation over temperature range	Temperature range	total deviation
	-25...15 °C	Characteristics deviation ± 0,05 % der Spanne / 10 K
	15...80 °C	Characteristics deviation
	80...150 °C	Characteristics deviation ± 0,1 % der Spanne / 10 K
Notes on the accuracy / deviation	for further details see section Diagrams and graphs	

Temperature monitoring		
Accuracy [K]	± 2,5+ (0,08 x (Umgebungstemperatur - Mediumtemperatur))	
Repeatability [K]	± 0,2	
Resolution [K]	0.2	

Reaction times

Damping process value dAP [s]	0...99.99
Damping for the analog output dAA [s]	0...99.99

2-wire		
Step response time analog output [ms]	30	

3-wire		
Min. response time of switching output (dAP) [ms]	3	
Step response time analog output [ms]	7	

Temperature monitoring		
Dynamic response T05 / T09 [s]	< 35 / < 135; (DIN EN 60751 water ; > 0,9 m/s)	

Interfaces

Communication interface	IO-Link
Transmission type	COM2 (38,4 kBaud)

PI1706



Flush pressure sensor with display

PI-2,5-REA01-MFRKG/US/ IP

IO-Link revision	1.1	
SDCI standard	IEC 61131-9	
Profiles	Identification and Diagnosis (0x4000), Measurement Data Channel (0x800A)	
SIO mode	yes	
Required master port class	A	
Min. process cycle time [ms]	5.6	
IO-Link resolution pressure [bar]	0.0001	
IO-Link resolution temperature [K]	0.2	
IO-Link process data (cyclical)	Function	bit length
	pressure	32
	temperature	32
	device status	4
	binary switching information	2
IO-Link functions (acyclical)	application specific tag; internal temperature; operating hours counter; switching cycles counter; Pressure peak counter	
Supported DeviceIDs	Type of operation	DeviceID
	default	1154 d

Operating conditions		
Ambient temperature [°C]		-25...80
Storage temperature [°C]		-40...100
Protection		IP 67; IP 68; IP 69K

Tests / approvals		
EMC	DIN EN 61326-1	
Shock resistance	DIN EN 60068-2-27	50 g (11 ms)
Vibration resistance	DIN EN 60068-2-6	20 g (10...2000 Hz)
MTTF [years]		214
Note on approval	Factory certificate available as download at www.factory-certificate.ifm	
UL approval	UL approval number	J048
	File number UL	E174189

Mechanical data		
Weight [g]		358.1
Material	stainless steel (1.4404 / 316L); FKM; PTFE; PBT; PEI; PFA	
Materials (wetted parts)	ceramics (99.9 % Al2O3); stainless steel (1.4435 / 316L); surface characteristics: Ra < 0,4 / Rz 4; PTFE	
Min. pressure cycles		100 million
Tightening torque [Nm]		35
Process connection	threaded connection G 1 external thread Aseptoflex Vario	

Displays / operating elements		
Display	Display unit	LED, green
	Switching status	LED, yellow
	Function display	alphanumeric display, 4-digit
	Measured values	alphanumeric display, 4-digit
Display unit	bar; psi; kPa; inH2O	

Remarks		
Pack quantity	1 pcs.	

PI1706



Flush pressure sensor with display

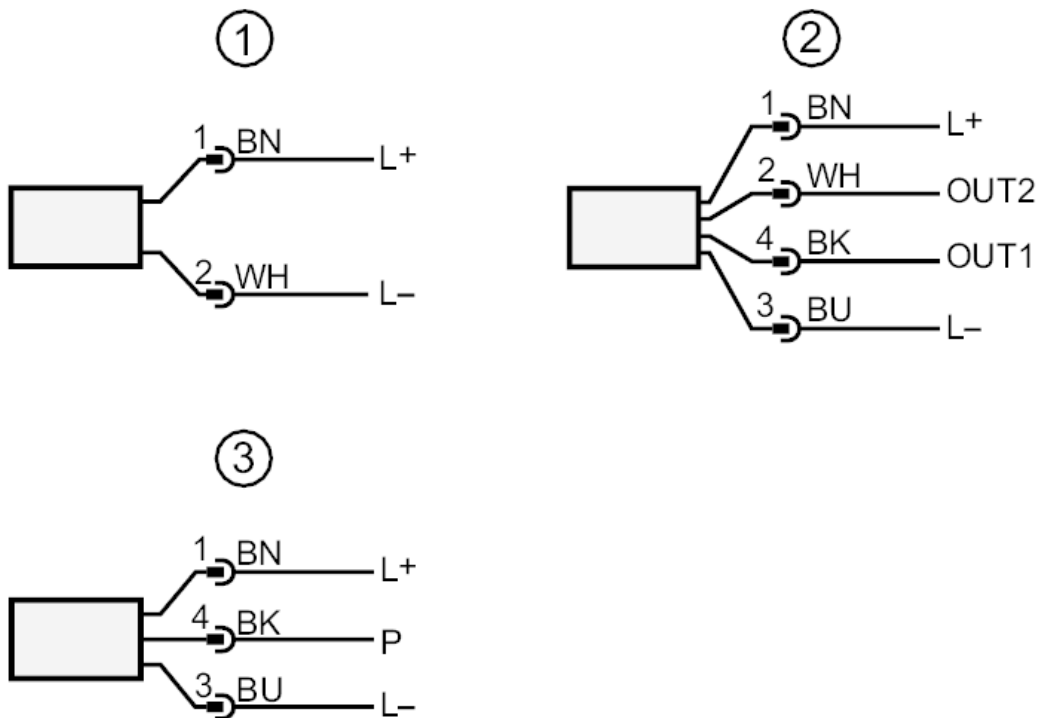
PI-2,5-REA01-MFRKG/US/ IP

Electrical connection

Connector: 1 x M12; coding: A; Contacts: gold-plated



Connection



- 1 connection for 2-wire operation
- 2 connection for 3-wire operation
- OUT1 Switching output / IO-Link
- OUT2 Switching output / analog output
- 3 connection for IO-Link parameter setting (P = communication via IO-Link)

Colors to DIN EN 60947-5-2
Core colors

- BK = black
- BN = brown
- BU = blue
- WH = white

PI1706

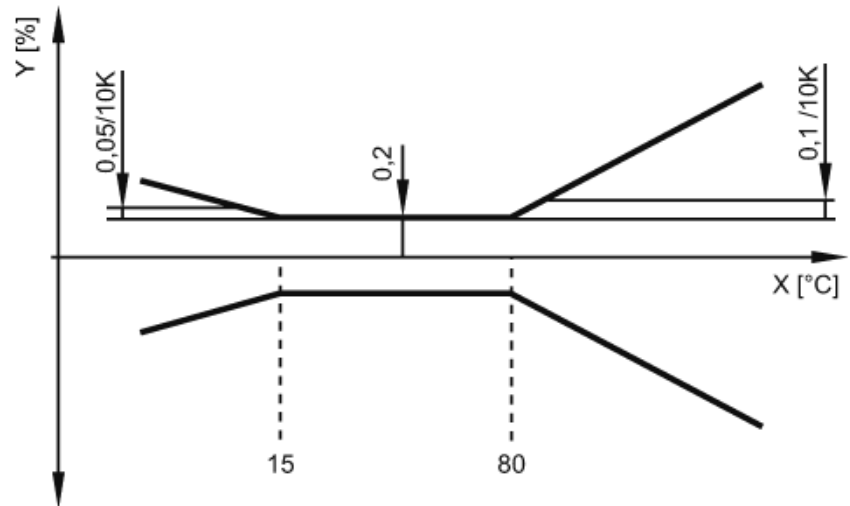


Flush pressure sensor with display

PI-2,5-REA01-MFRKG/US/ IP

Diagrams and graphs

ambient temperature influence on the accuracy



X temperature
Y total deviation