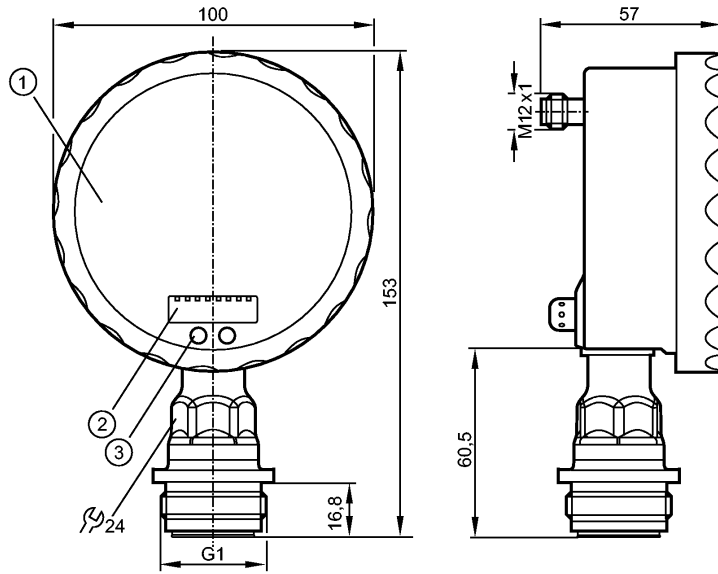


PG2796

PG-2.5-REA01-MFRKG/US/ /P

Pressure sensors



- 1: Analogue display
- 2: 4-digit alphanumeric display
- 3: Touch pad (programming button)

 ACS   EC 1935/2004 EHEDG Certified

 Reg31

Product characteristics

Electronic pressure sensor with analog display
Quick disconnect
Suitable for all standard CIP and SIP processes
Analog display 0...350° rotatable
Resolution 0.25%
Pointer not visible when unit disconnected
no dead space
Process connection: G 1 A / Aseptoflex Vario
2 Output OUT1 = Switching output OUT2 = Analog output
analog display, 4-digit alphanumeric display
Measuring range: -0.124...2.5 bar / -1.8...36.27 psi

Application

Application	Type of pressure: relative pressure Hygienic systems, viscous media and liquids with suspended particles Liquids and gases	
Pressure rating	20 bar	290 psi
Bursting pressure min.	50 bar	725 psi
Medium temperature [°C]	-25...125 (145 max. 1h)	

Electrical data

Electrical design	DC PNP/NPN
Operating voltage [V]	18...32 DC
Current consumption [mA]	< 70 (24 V)

PG2796

PG-2.5-REA01-MFRKG/US/ /P

Pressure sensors

Insulation resistance [MΩ]	> 100 (500 V DC)
Protection class	III
Reverse polarity protection	yes

Outputs

Output	2 Output OUT1 = Switching output OUT2 = Analog output
Output function	1 x normally open / closed programmable + 1 x analogue (4...20 / 20...4 mA, scalable)
Current rating [mA]	250
Voltage drop [V]	< 2
Short-circuit protection	yes (non-latching)
Overload protection	yes
Switching frequency [Hz]	50
Analog output	I: 4...20 mA (Ineg: 20...4 mA)
Max. load [Ω]	I / Ineg: max. (U _b - 10 V) x 50

Measuring / setting range

Measuring range	-0.124...2.5 bar	-1.8...36.27 psi
Setting range		
Set point, SP	-0.120...4.000 bar	-1.74...58.02 psi
Reset point, rP	-0.124...3.996 bar	-1.80...57.96 psi
Analog start point, ASP	-0.124...3.370 bar	-1.80...48.87 psi
Analog end point, AEP	0.500...4.000 bar	7.26...58.02 psi
in steps of	0.002 bar	0.03 psi

Accuracy / deviations

Accuracy / deviations (in % of the span) Turn down 1:1	
Switch point accuracy	< ± 0.2
Characteristics deviation *)	< ± 0.2
Linearity	< ± 0.15
Hysteresis	< ± 0.15
Repeatability **)	< ± 0.1
Long-term stability ***)	< ± 0.1
Temperature coefficients (TEMPCO) in the temperature range 0...70° C (in % of the span per 10 K)	
Greatest TEMPCO of the zero point	< ± 0.05
Greatest TEMPCO of the span	< ± 0.15

Reaction times

Power-on delay time [s]	6
Min. response time switching output [ms]	10
Damping for the switching output (dAP) [s]	0.01...30
Damping for the analog output (dAA) [s]	0.01...30
Step response time analogue output [ms]	25
Integrated watchdog	yes

Environment

PG2796

PG-2.5-REA01-MFRKG/US/ /P

Pressure sensors

Ambient temperature	[°C]	-25...80
Storage temperature	[°C]	-40...100
Protection		IP 67 / IP 69K

Tests / approvals

EMC	EN 61000-4-2 ESD:	4 kV CD / 8 kV AD
	EN 61000-4-3 HF radiated:	10 V/m
	EN 61000-4-4 Burst:	2 kV
	EN 61000-4-5 Surge:	0.5/1 kV
	EN 61000-4-6 HF conducted:	10 V
Shock resistance	DIN IEC 68-2-27:	50 g (11 ms)
Vibration resistance	DIN IEC 68-2-6:	20 g (10...2000 Hz)
MTTF	[Years]	100

Mechanical data

Process connection	G 1 A / Aseptoflex Vario	
Materials (wetted parts)	ceramics (99.9 % Al ₂ O ₃); PTFE; stainless steel 316L / 1.4435; surface characteristics: Ra < 0.4 / Rz 4	
Housing materials	stainless steel 316L / 1.4404; PA; FPM (Viton); PTFE; viewing glass: laminated safety glass 4 mm	
Switching cycles min.	100 million	
Weight	[kg]	0.558

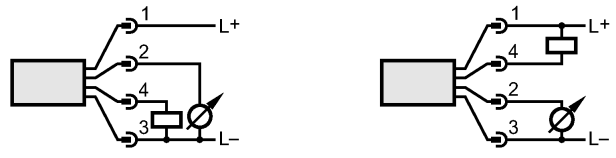
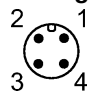
Displays / operating elements

Display	Display unit	2 x LED green
	Switching status	LED yellow
	Switch points	LED ring
	Function display	4-digit alphanumeric display
	Measured values	analog display, 4-digit alphanumeric display
Extended display range (max.)	4 bar	58.02 psi

Electrical connection

Connection	M12 connector; gold-plated contacts
------------	-------------------------------------

Wiring



Remarks

Remarks	<p>*) linearity, incl. hysteresis and repeatability; (limit value setting to DIN 16086) characteristics deviation in the extended display range: 1.5 % of the span switch point accuracy in the extended display range: 1.5 % of the span **) with temperature fluctuations < 10 K ***) in % of the span per year</p>
---------	--

Pack quantity	[piece]	1
---------------	---------	---