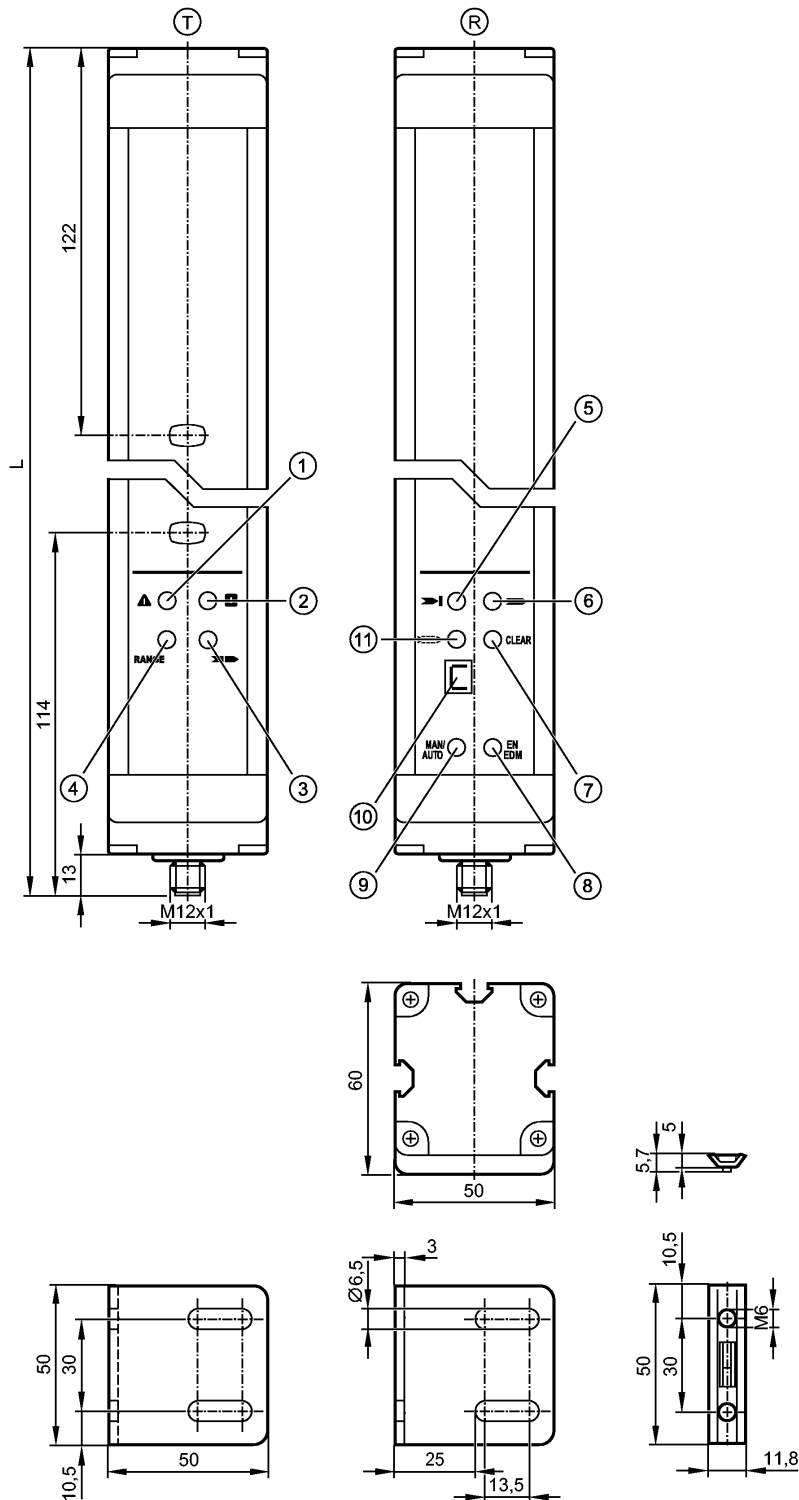


OY952S

OYA0810-03-4-60-P-1

Photoelectric sensors

Please note the wiring of the sensor and the sockets (see data sheet) as for 8-pole sockets the core colours are not standardised.



- T: Transmitter
- R: Receiver
- 1: LED (red)
- 2: LED (green)
- 3: LED (yellow)
- 4: LED (orange)
- 5: LED (red)
- 6: LED (green)
- 7: LED (yellow)
- 8: LED (yellow)

OY952S

OYA0810-03-4-60-P-1

Photoelectric sensors

9: LED (yellow)
10: display
11: LED (orange)



| Product characteristics | |
|---------------------------------------|--|
| Safety light grid | |
| Length L: 1036 mm | |
| Quick disconnect | |
| Complies with the requirements: | |
| type 4 (IEC 61496-1) | |
| SIL 3 (IEC 61508) | |
| SILcl 3 (IEC 62061) | |
| PL e (EN ISO 13849-1) | |
| Electrical data | |
| Electrical design | DC PNP |
| Operating voltage [V] | 24 DC (19.2...28.8) |
| Current consumption | |
| - Transmitter [mA] | 125 |
| - Receiver [mA] | 250 |
| Type of light | Infrared light 950 nm |
| Protection class | III |
| Reverse polarity protection | yes |
| Power-on delay time [s] | < 10 |
| Outputs | |
| Outputs (OSSDs) | 2 x PNP |
| Max. current load per output [mA] | 500 (24 V) |
| Short-circuit protection | yes |
| Monitoring range | |
| Protected area height [mm] | 810 |
| Number of beams | 3 |
| Protected area width (range) [m] | 8...30 / 18...60 |
| Reaction times | |
| Response time [ms] | 7 |
| Environment | |
| Applications | Class C to EN 60654-1 weatherproof application |
| Ambient temperature [°C] | -10...55 |
| Max. relative air humidity [%] | 95 |
| Protection | IP 65 |
| Tests / approvals | |
| EMC | IEC 61496-1 |
| Shock resistance | IEC 61496-1 |
| Vibration resistance | IEC 61496-1 |
| Safety classification | |
| Mission time TM [h] | 175200 |
| Safety-related reliability PFHd [1/h] | 7.7E-09 |

OY952S

OYA0810-03-4-60-P-1

Photoelectric sensors

| | | |
|-------------|---------|-------------------|
| MTTFd | [Years] | 100 |
| DC/CCF/Cat. | | 98.0 % / 80 % / 4 |

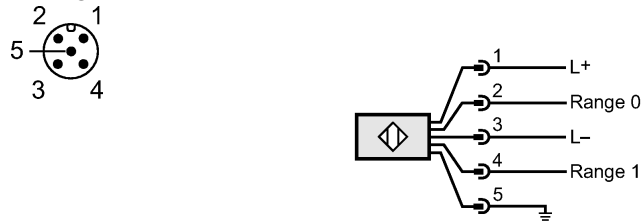
| Mechanical data | | |
|-------------------|------|-------------------------------|
| Length L | [mm] | 1036 |
| Housing materials | | housing: aluminum; window: PC |
| Weight | [kg] | 7.04 |

| Displays / operating elements | |
|-------------------------------|--|
| Display | Transmitter 4 LED Receiver 6 LED Receiver 1 LC display |

Electrical connection

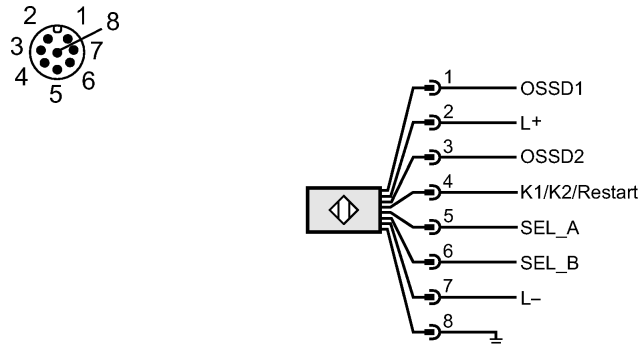
| | |
|-------------|---------------|
| Transmitter | |
| Connection | M12 connector |

Wiring Transmitter



| | |
|------------|---------------|
| Receiver | |
| Connection | M12 connector |

Wiring Receiver



| | | |
|------------------------------|-----|--------|
| Max. connection cable length | [m] | 100 *) |
|------------------------------|-----|--------|

Accessories

| | |
|------------------------|-----------------------------------|
| Accessories (included) | 6 Assembly angle; 6 Mounting Nuts |
|------------------------|-----------------------------------|

Remarks

| | |
|---------|---|
| Remarks | *) for wire cross-section 1 mm ² |
|---------|---|

| | | |
|---------------|---------|---|
| Pack quantity | [piece] | 1 |
|---------------|---------|---|

Please note the wiring of the sensor and the sockets (see data sheet) as for 8-pole sockets the core colours are not standardised.