

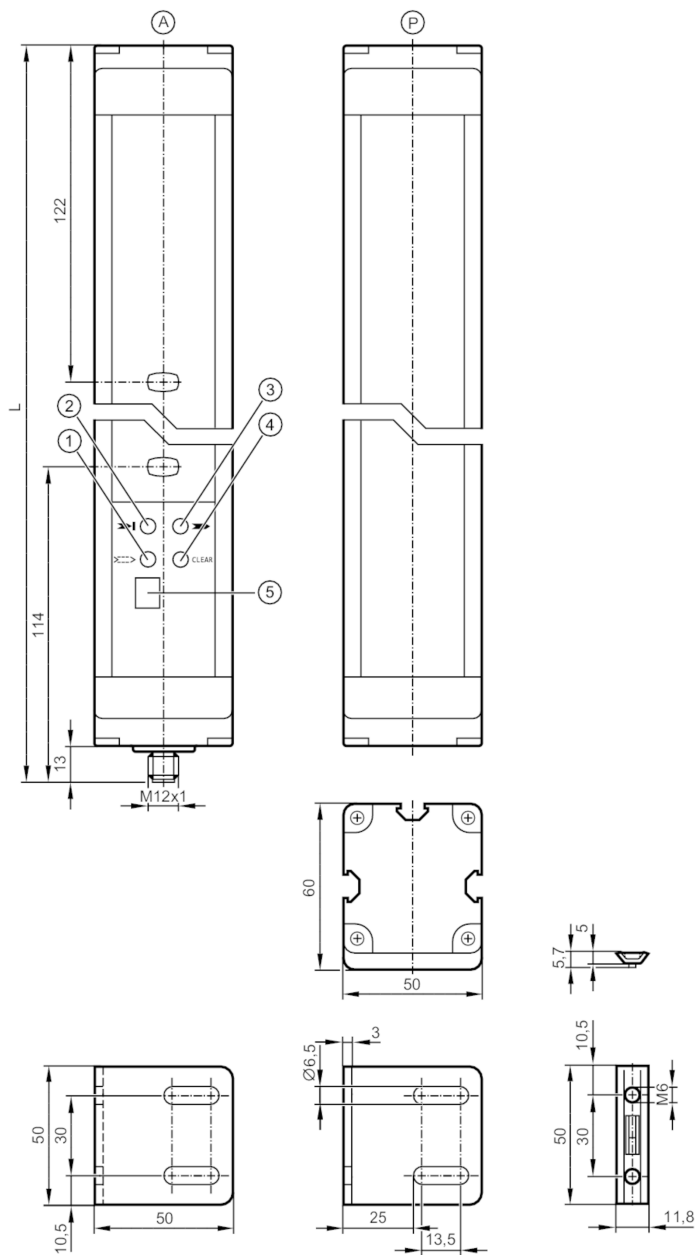
OY903S



Safety light grids

OYD0910-04-4-06-P-1

For 8-wire cordsets the core colors are not standardized.
Please note the wiring of the sensor and the cordsets (see data sheet).



- A active element
- P passive element
- 1 LED orange
- 2 LED red
- 3 LED green
- 4 LED yellow
- 5 display





Safety light grids

OYD0910-04-4-06-P-1

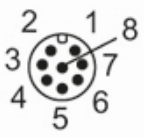
Product characteristics		
Type of light		Infrared light
Electrical design		PNP
Protection		IP 65
Application		
Protective function		Access prevention body protection
Electrical data		
Operating voltage tolerance	[%]	20
Operating voltage	[V]	24 DC
Current consumption	[mA]	250
Protection class		III
Reverse polarity protection		yes
Power-on delay time	[s]	< 10
Type of light		Infrared light
Wave length	[nm]	950
Outputs		
Electrical design		PNP
Number of OSSD outputs		2
Max. current load per OSSD output	[mA]	500
Short-circuit protection		yes
Monitoring range		
Protected area height	[mm]	910
Number of beams		4
Protection area width (low light intensity)	[m]	0...6
Protection area width (high light intensity)	[m]	0...6
Active/passive system		yes
Reaction times		
Response time	[ms]	10.5
Operating conditions		
Applications		Class C to EN 60654-1 weatherproof application
Ambient temperature	[°C]	-10...55
Max. relative air humidity	[%]	95
Protection		IP 65
Tests / approvals		
EMC		IEC 61496-1
Shock resistance		IEC 61496-1
Vibration resistance		IEC 61496-1

OY903S



Safety light grids

OYD0910-04-4-06-P-1

Safety classification		
ESPE type (IEC 61496-1)		4
Complies with the requirements		ISO 13849-1: 2015 Category 4, PL e
		IEC 61508 SIL 3
		IEC 62061 SIL 3
Mission time TM	[h]	175200
PFH	[1/h]	5,0E-09
Mechanical data		
Weight	[g]	9200
Dimensions	[mm]	1136 x 50 x 60
Material		housing: aluminum; front lens: PC
Length L	[mm]	1136
Displays / operating elements		
Display	transmitter	4 x LED
	transmitter	LC display
Accessories		
Items supplied		Assembly angle: 6
		Slot nuts: 6
Remarks		
Pack quantity		1 pcs.
Electrical connection		
Connector: 1 x M12; coding: A; Maximum cable length: 100 m; for wire cross-section 1 mm ²		
		

OY903S



Safety light grids

OYD0910-04-4-06-P-1

Connection

