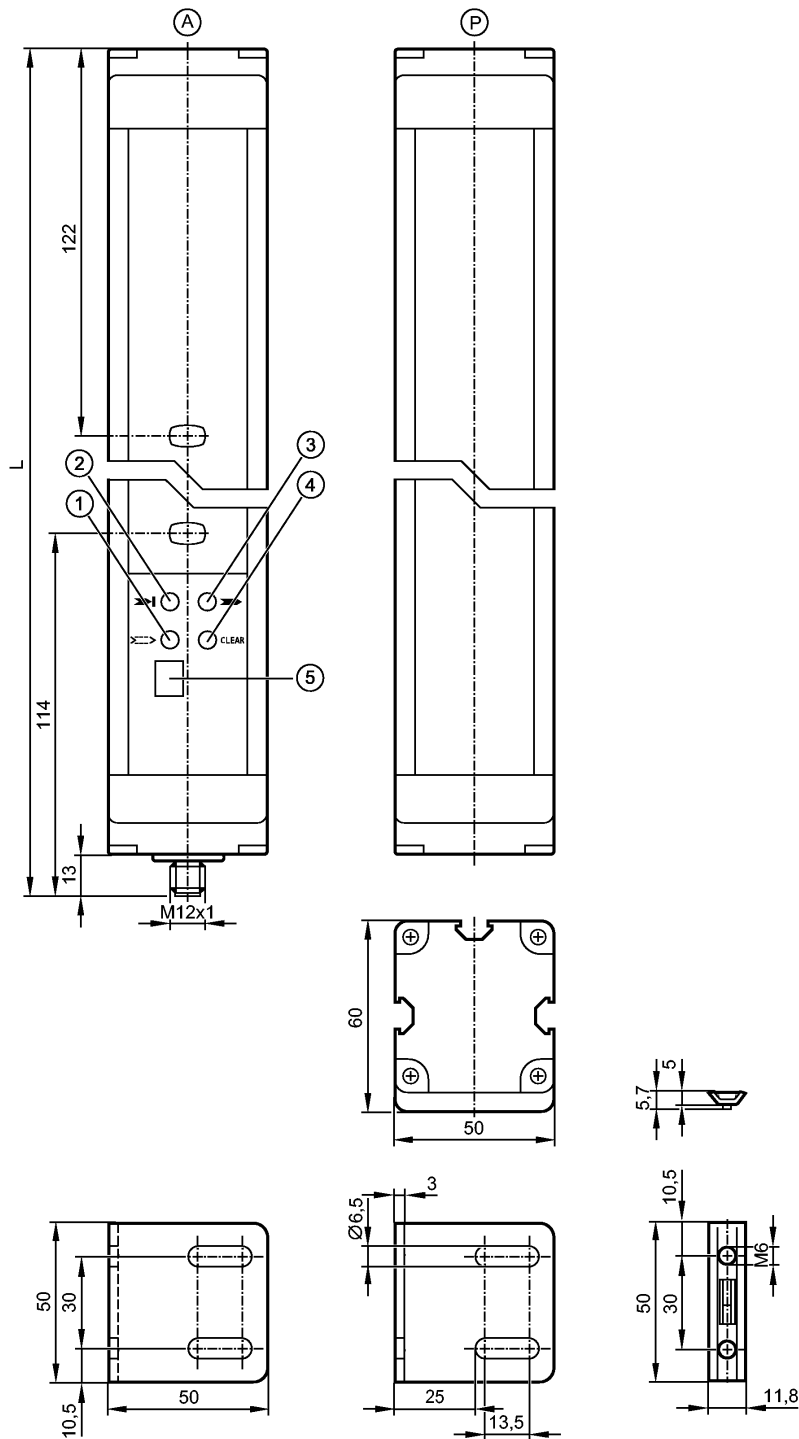


OY902S

OYD0810-03-4-06-P-1

Photoelectric sensors

Please note the wiring of the sensor and the sockets (see data sheet) as for 8-pole sockets the core colours are not standardised.



- A: active element
- P: passive element
- 1: LED (orange)
- 2: LED (red)
- 3: LED (green)
- 4: LED (yellow)
- 5: display



OY902S

OYD0810-03-4-06-P-1

Photoelectric sensors

Safety light grid	
Length L: 1036 mm	
Quick disconnect	
with active / passive system	
Complies with the requirements:	
type 4 (IEC 61496-1)	
SIL 3 (IEC 61508)	
SILcl 3 (IEC 62061)	
PL e (EN ISO 13849-1)	

Electrical data

Electrical design		DC PNP
Operating voltage [V]		24 DC (19.2...28.8)
Current consumption [mA]		250
Type of light		Infrared light 950 nm
Protection class		III
Reverse polarity protection		yes
Power-on delay time [s]		< 10

Outputs

Outputs (OSSDs)		2 x PNP
Max. current load per output [mA]		500 (24 V)
Short-circuit protection		yes

Monitoring range

Protected area height [mm]		810
Number of beams		3
Protected area width (range) [m]		0...6

Reaction times

Response time [ms]		10.5
--------------------	--	------

Environment

Applications		Class C to EN 60654-1 weatherproof application
Ambient temperature [°C]		-10...55
Max. relative air humidity [%]		95
Protection		IP 65

Tests / approvals

EMC		IEC 61496-1
Shock resistance		IEC 61496-1
Vibration resistance		IEC 61496-1

Safety classification

Mission time TM [h]		175200
Safety-related reliability PFHd [1/h]		4.9E-09
MTTFd [Years]		100
DC/CCF/Cat.		98.2 % / 80 % / 4

Mechanical data

Length L [mm]		1036
Housing materials		housing: aluminum; window: PC
Weight [kg]		8.53

OY902S

OYD0810-03-4-06-P-1

Photoelectric sensors

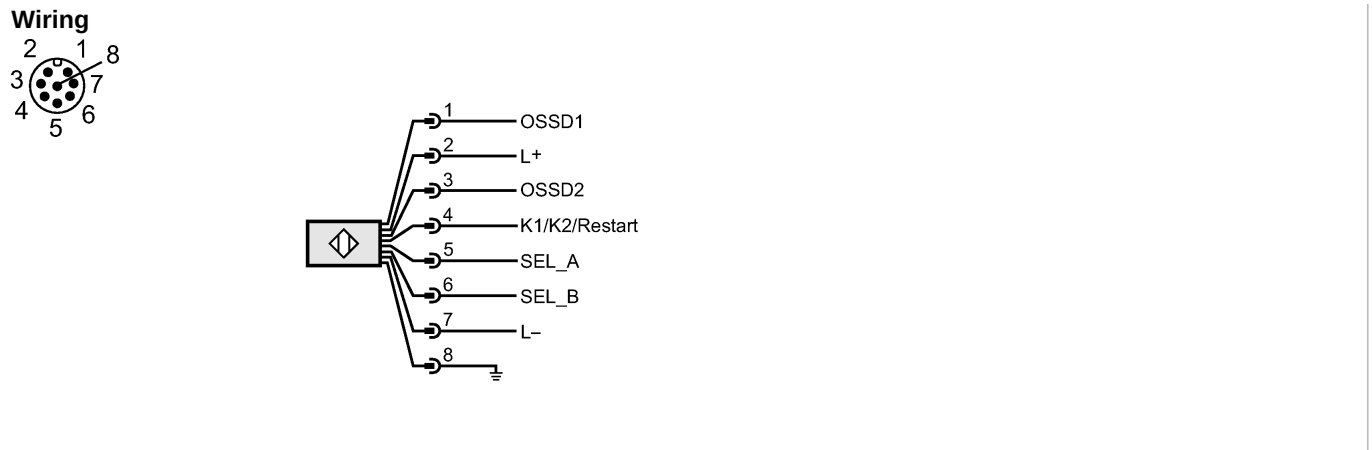
Displays / operating elements

Display	Transmitter 4 LED Transmitter 1 LC display
---------	-----------------------------------------------

Electrical connection

Connection	M12 connector
------------	---------------

Wiring



Max. connection cable length [m]	100 *)
----------------------------------	--------

Accessories

Accessories (included)	6 Assembly angle; 6 Mounting Nuts
------------------------	-----------------------------------

Remarks

Remarks	*) for wire cross-section 1 mm ²
---------	---------------------------------------------

Pack quantity [piece]	1
-----------------------	---

ifm efector, inc. • 1100 Atwater Drive • Malvern • PA 19355 — We reserve the right to make technical alterations without prior notice. — US — OY902S — 07.09.2010

Please note the wiring of the sensor and the sockets (see data sheet) as for 8-pole sockets the core colours are not standardised.