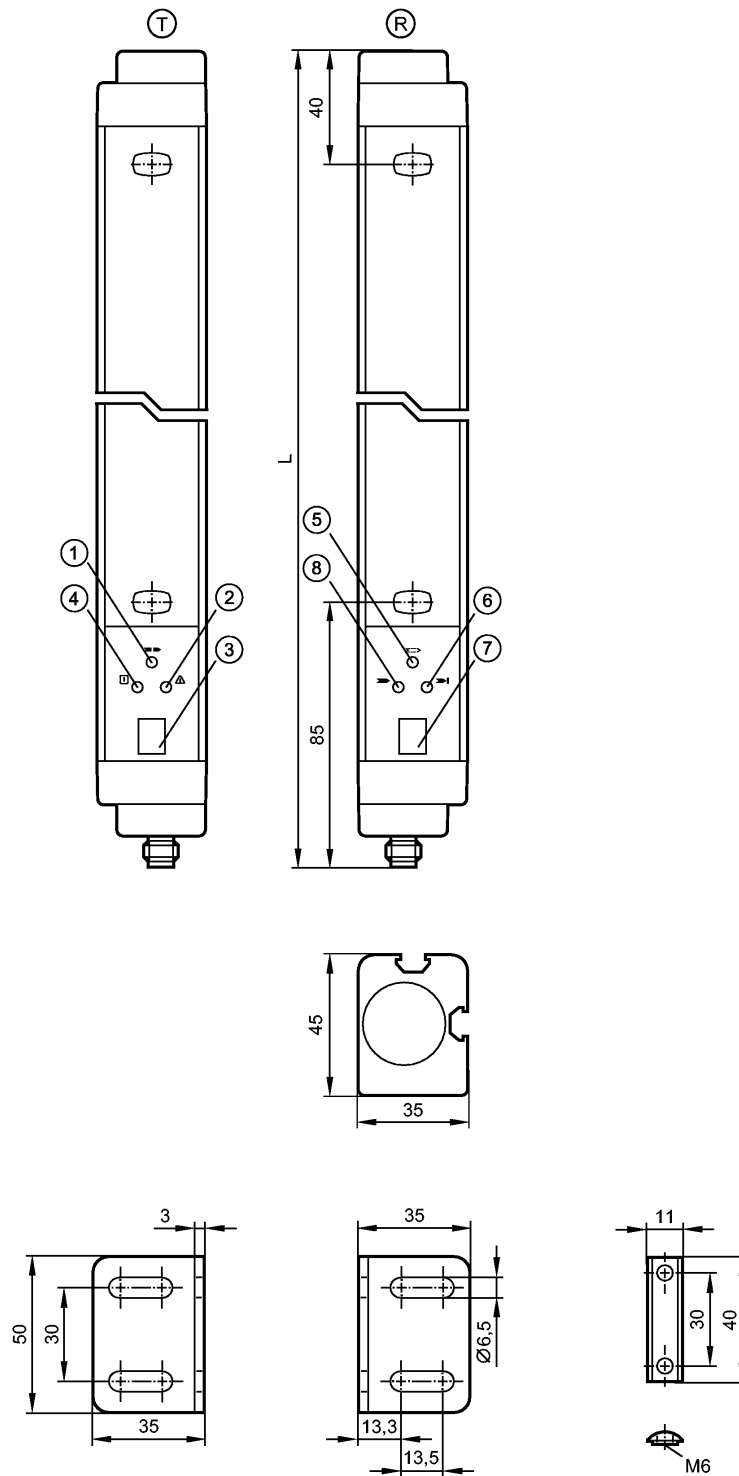


OY817S

OYA0910-20-4-18-P-1-B

Photoelectric sensors

Please note the wiring of the sensor and the sockets (see data sheet) as for 8-pole sockets the core colours are not standardised.



- T: Transmitter
- R: Receiver
- 1: LED yellow
- 2: LED red
- 3: 7-segment LED display
- 4: LED green
- 5: LED yellow
- 6: LED red
- 7: 7-segment LCD display
- 8: LED green

OY817S

OYA0910-20-4-18-P-1-B

Photoelectric sensors



Product characteristics

Safety light curtain	
Length L: 1011 mm	
Quick disconnect	
with floating blanking	
Complies with the requirements:	
type 4 (IEC 61496-1)	
SIL 3 (IEC 61508)	
SILcl 3 (IEC 62061)	
PL e (EN ISO 13849-1)	

Electrical data

Electrical design		DC PNP
Operating voltage [V]		24 DC (19.2...28.8)
Current consumption		
- Transmitter [mA]		83
- Receiver [mA]		125
Type of light		Infrared light 950 nm
Protection class		III
Reverse polarity protection		yes
Power-on delay time [s]		< 18

Outputs

Outputs (OSSDs)		2 x PNP
Max. current load per output [mA]		500 (24 V)
Short-circuit protection		yes

Monitoring range

Protected area height [mm]		910
Resolution (detection capacity d)[mm]		20
Protected area width (range) [m]		0...6 / 3...18

Reaction times

Response time [ms]		15.5
--------------------	--	------

Environment

Applications		Class C to EN 60654-1 weatherproof application
Ambient temperature [°C]		0...55
Max. relative air humidity [%]		95
Protection		IP 65

Tests / approvals

EMC		IEC 61496-1
Shock resistance		IEC 61496-1
Vibration resistance		IEC 61496-1

Safety classification

Mission time TM [h]		175200
Safety-related reliability PFHd [1/h]		1.8 E -08
MTTFd [Years]		92.1

OY817S

OYA0910-20-4-18-P-1-B

Photoelectric sensors

DC/CCF/Cat.	98.5 % / 80 % / 4
-------------	-------------------

Mechanical data

Length L	[mm]	1011
Housing materials		housing: aluminum; window: PC
Weight	[kg]	5.03

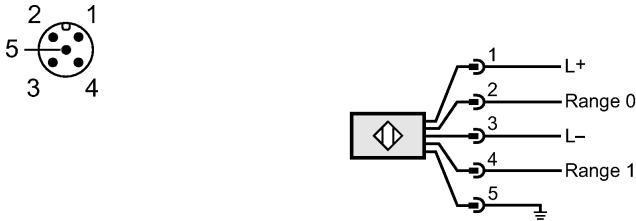
Displays / operating elements

Display	Transmitter 3 LED Transmitter 1 7-segment LCD display Receiver 3 LED Receiver 1 7-segment LCD display
---------	--

Electrical connection

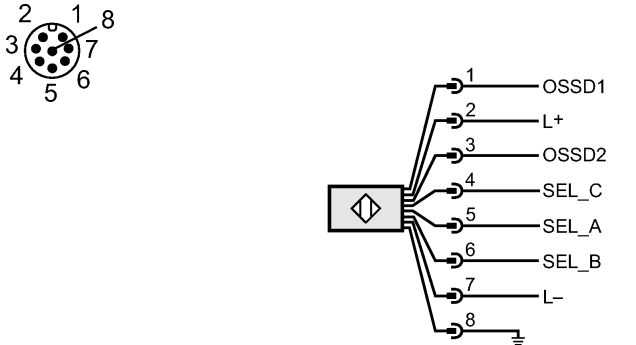
Transmitter	
Connection	M12 connector

Wiring Transmitter



Receiver	
Connection	M12 connector

Wiring Receiver



Max. connection cable length	[m]	100 *)
------------------------------	-----	--------

Accessories

Accessories (included)	4 assembly angles; 4 mounting nuts; screws
------------------------	--

Remarks

Remarks	*) for wire cross-section 0.34 mm ²
---------	--

Pack quantity	[piece]	1
---------------	---------	---

Please note the wiring of the sensor and the sockets (see data sheet) as for 8-pole sockets the core colours are not standardised.