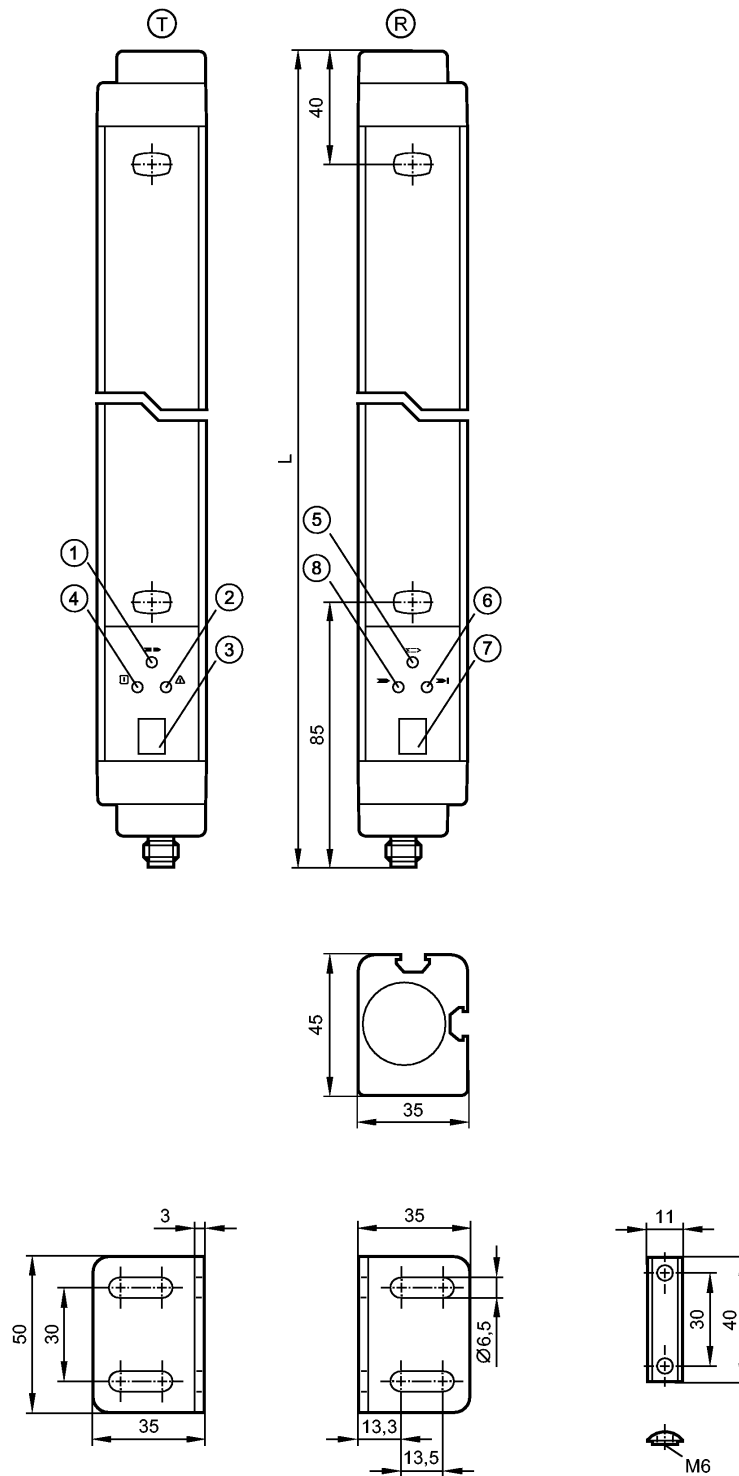


**OY808S**

OYA1210-14-4-05-P-1-B

Photoelectric sensors

Please note the wiring of the sensor and the sockets (see data sheet) as for 8-pole sockets the core colours are not standardised.



- T: Transmitter
- R: Receiver
- 1: LED yellow
- 2: LED red
- 3: 7-segment LED display
- 4: LED green
- 5: LED yellow
- 6: LED red
- 7: 7-segment LCD display
- 8: LED green

**OY808S**

OYA1210-14-4-05-P-1-B

Photoelectric sensors



Product characteristics	
Safety light curtain	
Length L: 1311 mm	
Quick disconnect	
with floating blanking	
Complies with the requirements:	
type 4 (IEC 61496-1)	
SIL 3 (IEC 61508)	
SILcl 3 (IEC 62061)	
PL e (EN ISO 13849-1)	
Electrical data	
Electrical design	DC PNP
Operating voltage [V]	24 DC (19.2...28.8)
Current consumption	
- Transmitter [mA]	83
- Receiver [mA]	125
Type of light	Infrared light 950 nm
Protection class	III
Reverse polarity protection	yes
Power-on delay time [s]	< 18
Outputs	
Outputs (OSSDs)	2 x PNP
Max. current load per output [mA]	500 (24 V)
Short-circuit protection	yes
Monitoring range	
Protected area height [mm]	1210
Resolution (detection capacity d)[mm]	14
Protected area width (range) [m]	0...3 / 0...5
Reaction times	
Response time [ms]	19
Environment	
Applications	Class C to EN 60654-1 weatherproof application
Ambient temperature [°C]	0...55
Max. relative air humidity [%]	95
Protection	IP 65
Tests / approvals	
EMC	IEC 61496-1
Shock resistance	IEC 61496-1
Vibration resistance	IEC 61496-1
Safety classification	
Mission time TM [h]	175200
Safety-related reliability PFHd [1/h]	2.1 E -08
MTTFd [Years]	73.8

**OY808S**

OYA1210-14-4-05-P-1-B

Photoelectric sensors

DC/CCF/Cat.	98.6 % / 80 % / 4
-------------	-------------------

**Mechanical data**

Length L	[mm]	1311
Housing materials		housing: aluminum; window: PC
Weight	[kg]	6.239

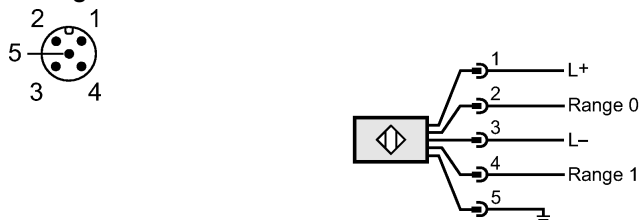
**Displays / operating elements**

Display	Transmitter 3 LED Transmitter 1 7-segment LCD display Receiver 3 LED Receiver 1 7-segment LCD display
---------	--

**Electrical connection**

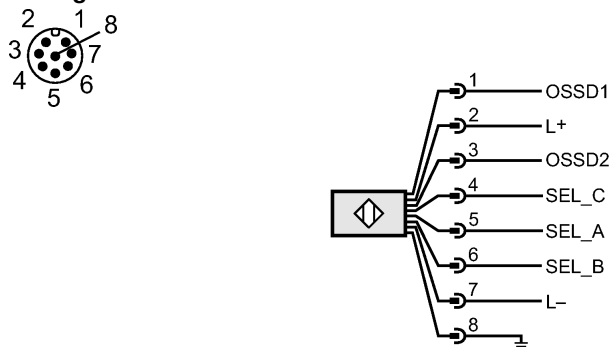
Transmitter	
Connection	M12 connector

**Wiring Transmitter**



Receiver	
Connection	M12 connector

**Wiring Receiver**



Max. connection cable length	[m]	100 *)
------------------------------	-----	--------

**Accessories**

Accessories (included)	4 assembly angles; 4 mounting nuts; screws
------------------------	--

**Remarks**

Remarks	*) for wire cross-section 0.34 mm <sup>2</sup>
---------	--

Pack quantity	[piece]	1
---------------	---------	---

**Please note the wiring of the sensor and the sockets (see data sheet) as for 8-pole sockets the core colours are not standardised.**