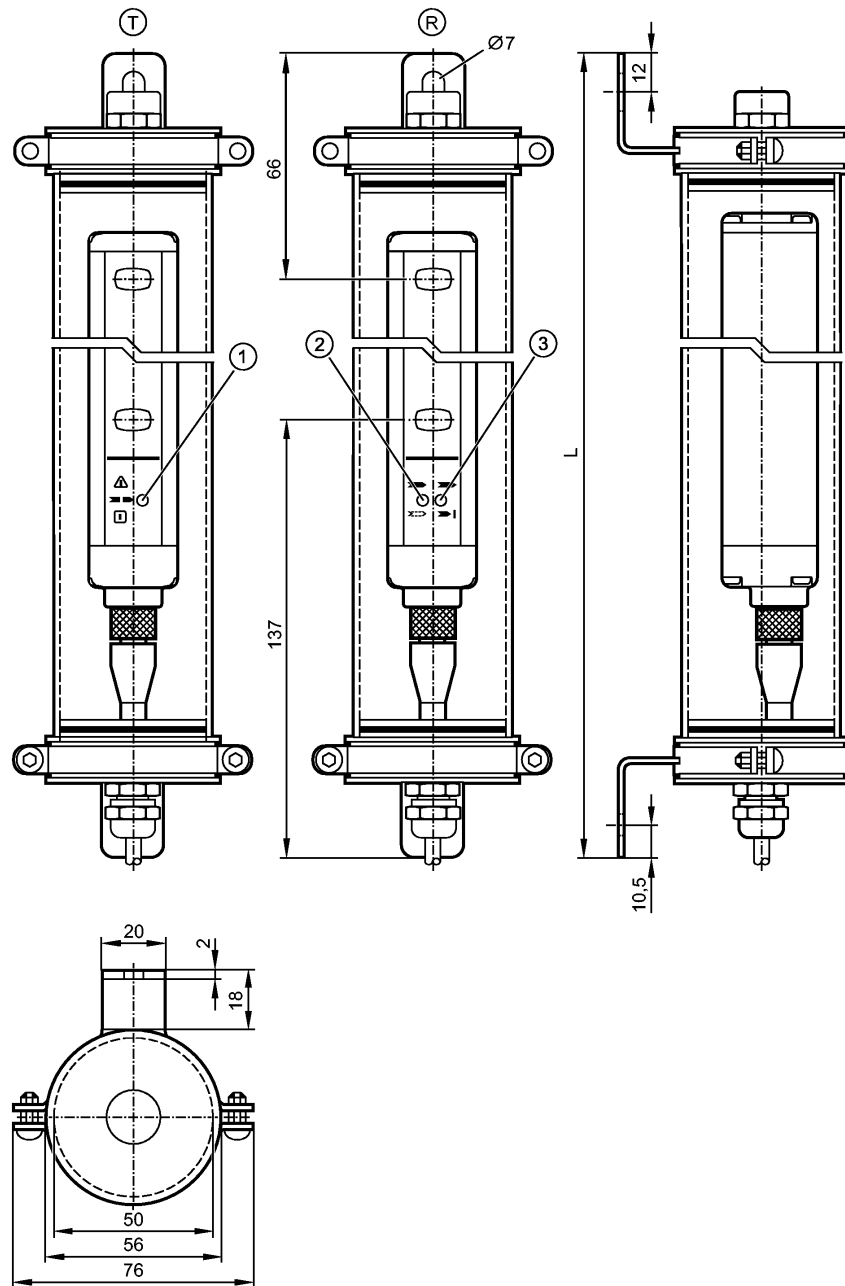


OY447S

OYA1060-30-4-15-P-1-A

Photoelectric sensors



T: Transmitter

R: Receiver

1: LED 3 colours (red/green/orange)

2: LED 2 colours (yellow/blue)

3: LED 2 colours (red/green)



Product characteristics

Safety light curtain

Length L: 1237 mm

Cable

with IP69K protective tube

Complies with the requirements:

type 4 (IEC 61496-1)

SIL 3 (IEC 61508)

OY447S

OYA1060-30-4-15-P-1-A

Photoelectric sensors

SILCl 3 (IEC 62061)

PL e (EN ISO 13849-1)

Electrical data	
Electrical design	DC PNP
Operating voltage [V]	24 DC (19.2...28.8)
Current consumption	
- Transmitter [mA]	42
- Heating [mA]	417
- Receiver [mA]	83
- Heating [mA]	417
Type of light	Infrared light 950 nm
Protection class	III
Reverse polarity protection	yes
Power-on delay time [s]	< 2
Outputs	
Outputs (OSSDs)	2 x PNP
Max. current load per output [mA]	400 (24 V)
Short-circuit protection	yes
Monitoring range	
Protected area height [mm]	1060
Resolution (detection capacity d)[mm]	30
Protected area width (range) [m]	0...7 / 3...15
Reaction times	
Response time [ms]	8.5
Environment	
Ambient temperature [°C]	-20...55
Max. relative air humidity [%]	95
Protection	IP 65 / IP 67 / IP 69K
Tests / approvals	
EMC	IEC 61496-1
Shock resistance	IEC 61496-1
Vibration resistance	IEC 61496-1
Safety classification	
Mission time TM [h]	175200
Safety-related reliability PFHd [1/h]	1.7E-08
MTTFd [Years]	100
DC/CCF/Cat.	94.3 % / 80 % / 4
Mechanical data	
Length L [mm]	1237
Housing materials	protective tube: PMMA transparent; Protective cap: POM; bracket: stainless steel (316L); sealing: silicone
Weight [kg]	6.58
Displays / operating elements	
Display	Transmitter 1 LED Receiver 2 LED

OY447S

OYA1060-30-4-15-P-1-A

Photoelectric sensors

Electrical connection

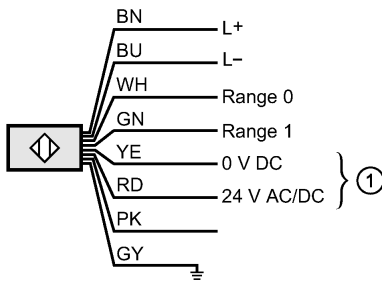
Transmitter

Connection	PVC cable / 15 m; 8 x 0.34 mm ²
------------	--

Wiring Transmitter

Core colors

BN	brown
BU	blue
GN	green
GY	grey
PK	pink
RD	red
WH	white
YE	yellow



1: Heating
PK: not used

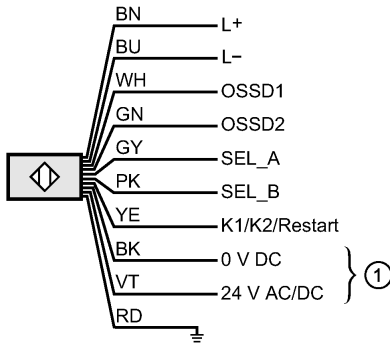
Receiver

Connection	PVC cable / 15 m; 10 x 0.34 mm ²
------------	---

Wiring Receiver

Core colors

BK	black
BN	brown
BU	blue
GN	green
GY	grey
PK	pink
RD	red
VT	lilac
WH	white
YE	yellow



1: Heating

Max. connection cable length [m]	100 *)
----------------------------------	--------

Remarks

Remarks	*) for wire cross-section 0.34 mm ²
---------	--

Pack quantity [piece]	1
-----------------------	---