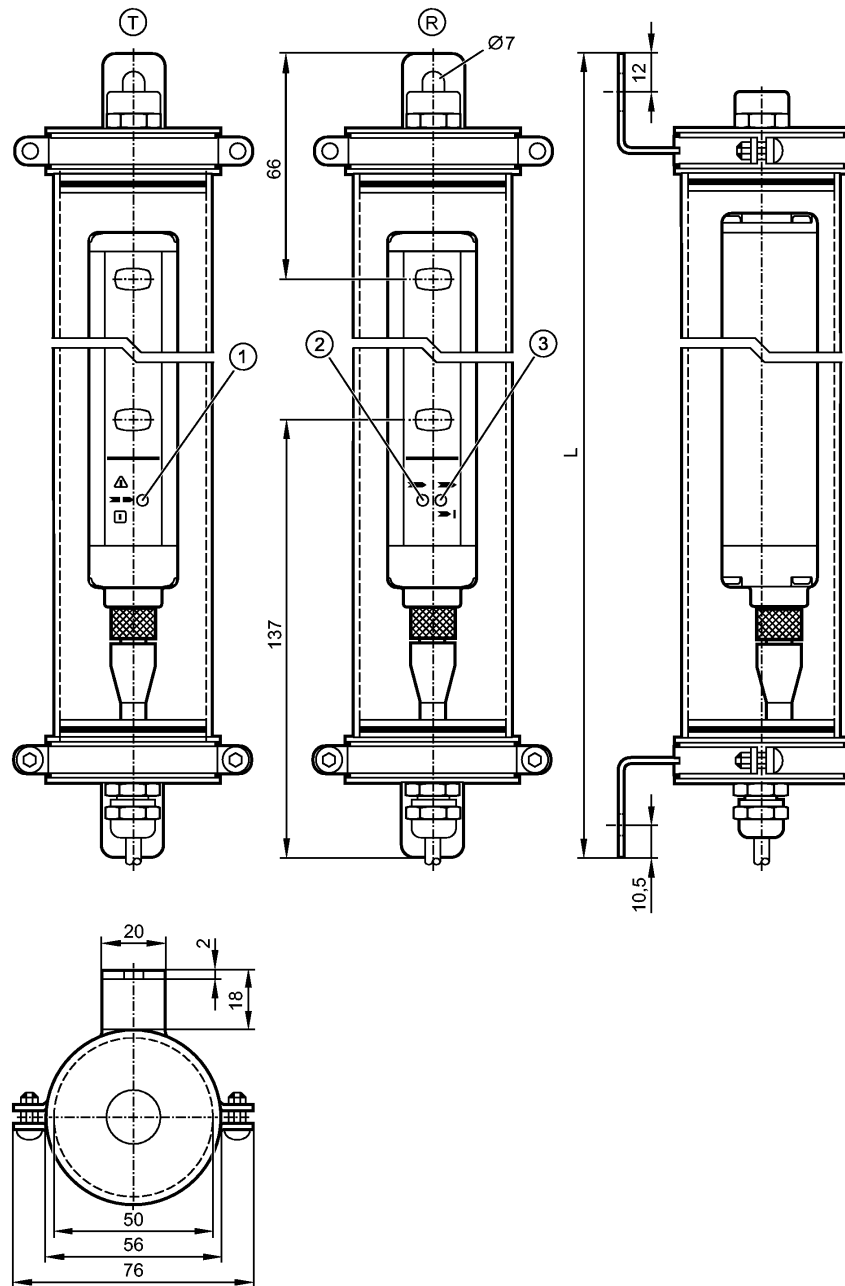


OY432S

OYA0310-30-2-09-P-1-A

Photoelectric sensors



T: Transmitter

R: Receiver

1: LED 3 colours (red/green/orange)

2: LED 2 colours (yellow/blue)

3: LED 2 colours (red/green)



Product characteristics

Safety light curtain

Length L: 487 mm

Cable

with IP69K protective tube

Complies with the requirements:

type 2 (IEC 61496-1)

SILCl 1 (IEC 62061)

OY432S

OYA0310-30-2-09-P-1-A

Photoelectric sensors

PL c (EN ISO 13849-1)

| Electrical data | |
|---------------------------------------|--|
| Electrical design | DC PNP |
| Operating voltage [V] | 24 DC (19.2...28.8) |
| Current consumption | |
| - Transmitter [mA] | 42 |
| - Heating [mA] | 167 |
| - Receiver [mA] | 83 |
| - Heating [mA] | 167 |
| Type of light | Infrared light 950 nm |
| Protection class | III |
| Reverse polarity protection | yes |
| Power-on delay time [s] | < 2 |
| Outputs | |
| Outputs (OSSDs) | 2 x PNP |
| Max. current load per output [mA] | 400 (24 V) |
| Short-circuit protection | yes |
| Monitoring range | |
| Protected area height [mm] | 310 |
| Resolution (detection capacity d)[mm] | 30 |
| Protected area width (range) [m] | 0...3 / 2...10 |
| Reaction times | |
| Response time [ms] | 6 |
| Environment | |
| Ambient temperature [°C] | -20...55 |
| Max. relative air humidity [%] | 95 |
| Protection | IP 65 / IP 67 / IP 69K |
| Tests / approvals | |
| EMC | IEC 61496-1 |
| Shock resistance | IEC 61496-1 |
| Vibration resistance | IEC 61496-1 |
| Safety classification | |
| Mission time TM [h] | 175200 |
| Safety-related reliability PFHd [1/h] | 2.7E-08 |
| MTTFd [Years] | 100 |
| DC/CCF/Cat. | 91.1% / 80 % / 2 |
| Mechanical data | |
| Length L [mm] | 487 |
| Housing materials | protective tube: PMMA transparent; Protective cap: POM; bracket: stainless steel (316L); sealing: silicone |
| Weight [kg] | 3.5 |
| Displays / operating elements | |
| Display | Transmitter 1 LED Receiver 2 LED |
| Electrical connection | |

OY432S

OYA0310-30-2-09-P-1-A

Photoelectric sensors

Transmitter

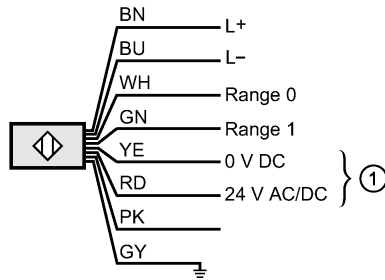
Connection

PVC cable / 15 m; 8 x 0.34 mm²

Wiring Transmitter

Core colors

- BN brown
- BU blue
- GN green
- GY grey
- PK pink
- RD red
- WH white
- YE yellow



1: Heating
PK: not used

Receiver

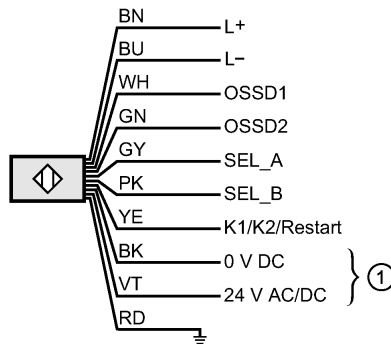
Connection

PVC cable / 15 m; 10 x 0.34 mm²

Wiring Receiver

Core colors

- BK black
- BN brown
- BU blue
- GN green
- GY grey
- PK pink
- RD red
- VT lilac
- WH white
- YE yellow



1: Heating

Max. connection cable length [m]

100 *)

Remarks

Remarks

*) for wire cross-section 0.34 mm²

Pack quantity [piece]

1