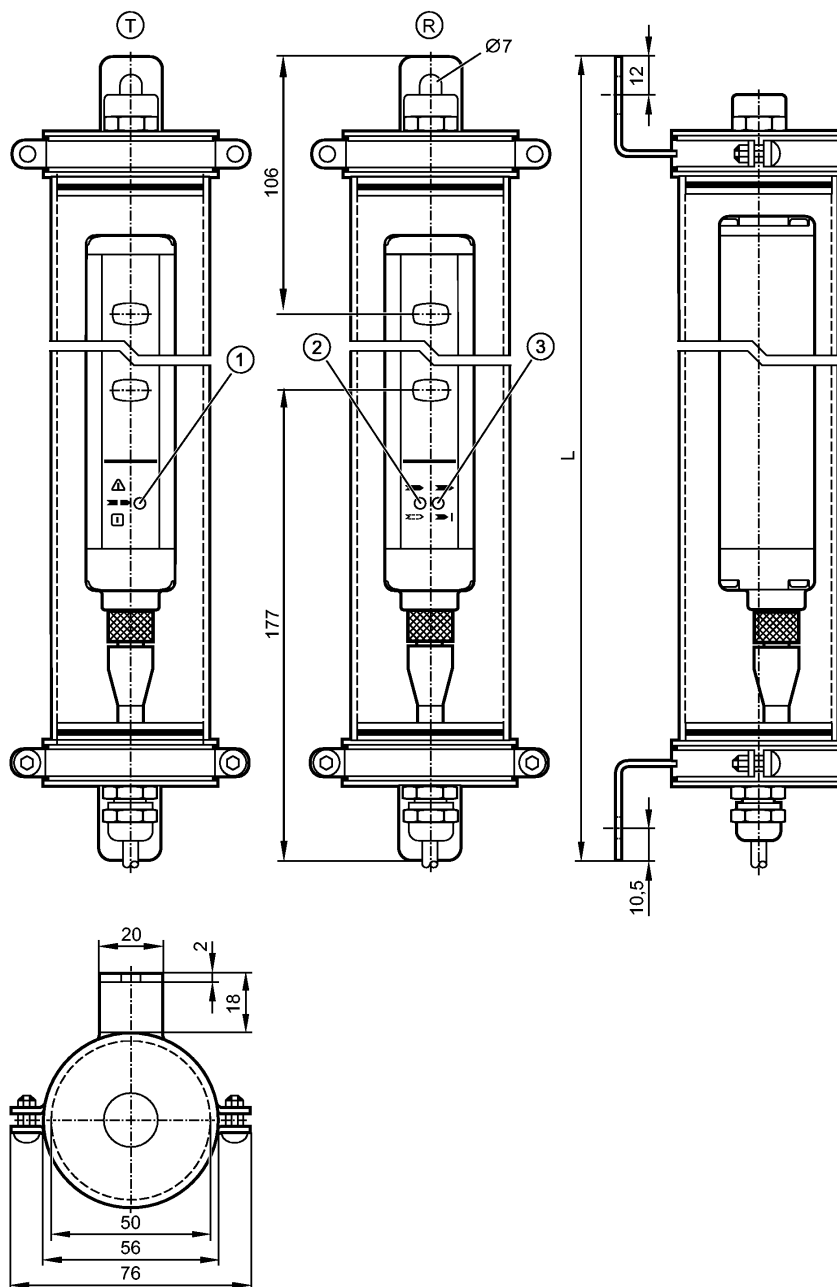


**OY423S**

OYA0910-04-4-15-P-1-A

Photoelectric sensors



T: Transmitter

R: Receiver

1: LED 3 colours (red/green/orange)

2: LED 2 colours (yellow/blue)

3: LED 2 colours (red/green)



**Product characteristics**

Safety light grid

Length L: 1177 mm

Cable

with IP69K protective tube

Complies with the requirements:

type 4 (IEC 61496-1)

SIL 3 (IEC 61508)

**OY423S**

OYA0910-04-4-15-P-1-A

Photoelectric sensors

SILCl 3 (IEC 62061)

PL e (EN ISO 13849-1)

**Electrical data**

Electrical design		DC PNP
Operating voltage [V]		24 DC (19.2...28.8)
Current consumption		
- Transmitter [mA]		42
- Heating [mA]		417
- Receiver [mA]		83
- Heating [mA]		417
Type of light		Infrared light 950 nm
Protection class		III
Reverse polarity protection		yes
Power-on delay time [s]		< 2

**Outputs**

Outputs (OSSDs)		2 x PNP
Max. current load per output [mA]		400 (24 V)
Short-circuit protection		yes

**Monitoring range**

Protected area height [mm]		910
Number of beams		4
Protected area width (range) [m]		0...7 / 3...15

**Reaction times**

Response time [ms]		2.5
--------------------	--	-----

**Environment**

Ambient temperature [°C]		-20...55
Max. relative air humidity [%]		95
Protection		IP 65 / IP 67 / IP 69K

**Tests / approvals**

EMC		IEC 61496-1
Shock resistance		IEC 61496-1
Vibration resistance		IEC 61496-1

**Safety classification**

Mission time TM [h]		175200
Safety-related reliability PFHd [1/h]		1.1E-08
MTTFd [Years]		100
DC/CCF/Cat.		95.4 % / 80 % / 4

**Mechanical data**

Length L [mm]		1177
Housing materials		protective tube: PMMA transparent; Protective cap: POM; bracket: stainless steel (316L); sealing: silicone
Weight [kg]		6.29

**Displays / operating elements**

Display		Transmitter 1 LED Receiver 2 LED
---------	--	-------------------------------------

**OY423S**

OYA0910-04-4-15-P-1-A

Photoelectric sensors

**Electrical connection**

Transmitter

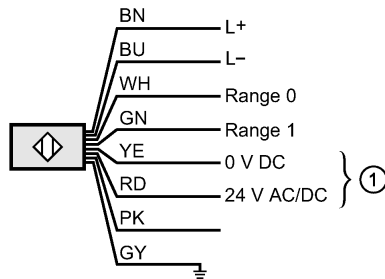
Connection

PVC cable / 15 m; 8 x 0.34 mm<sup>2</sup>

**Wiring Transmitter**

Core colors

- BN brown
- BU blue
- GN green
- GY grey
- PK pink
- RD red
- WH white
- YE yellow



1: Heating  
PK: not used

Receiver

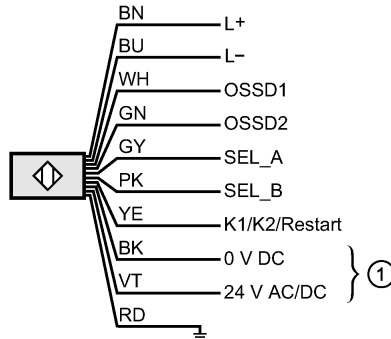
Connection

PVC cable / 15 m; 10 x 0.34 mm<sup>2</sup>

**Wiring Receiver**

Core colors

- BK black
- BN brown
- BU blue
- GN green
- GY grey
- PK pink
- RD red
- VT lilac
- WH white
- YE yellow



1: Heating

Max. connection cable length

[m]

100 \*)

**Remarks**

Remarks

\*) for wire cross-section 0.34 mm<sup>2</sup>

Pack quantity

[piece]

1