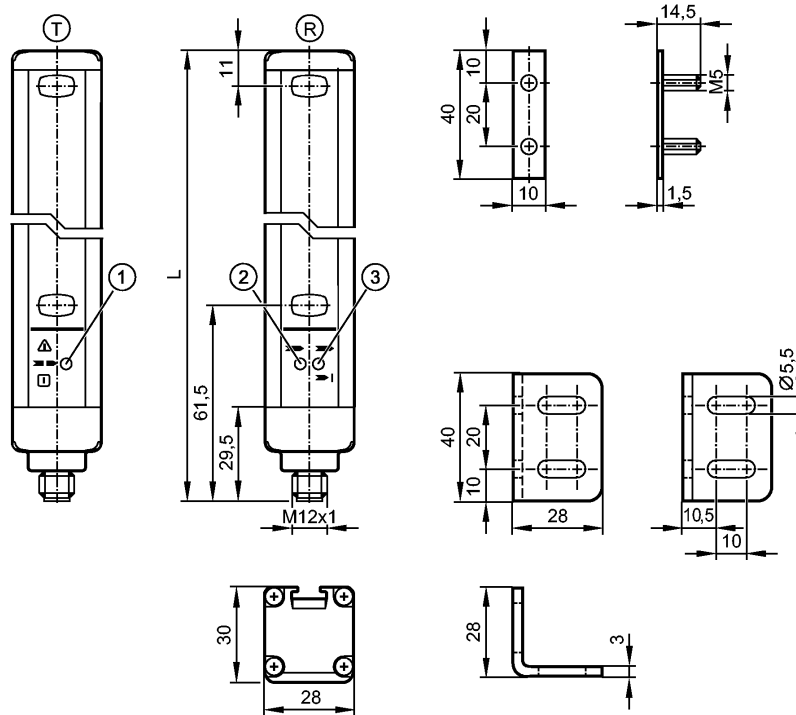


OY074S

OYA0610-50-2-12-P-1

Photoelectric sensors

Please note the wiring of the sensor and the sockets (see data sheet) as for 8-pole sockets the core colours are not standardised.



- T: Transmitter
- R: Receiver
- 1: LED 3 colours (red/green/orange)
- 2: LED (yellow)
- 3: LED 2 colours (red/green)



Product characteristics

Safety light curtain	
Length L: 663 mm	
Quick disconnect	
Complies with the requirements:	
type 2 (IEC 61496-1)	
SILcl 1 (IEC 62061)	
PL c (EN ISO 13849-1)	

Electrical data

Electrical design		DC PNP
Operating voltage [V]		24 DC (19.2...28.8)
Current consumption		
- Transmitter [mA]		42
- Receiver [mA]		83
Type of light		Infrared light 950 nm
Protection class		III
Reverse polarity protection		yes
Power-on delay time [s]		< 2

Outputs

Outputs (OSSDs)	2 x PNP
-----------------	---------

OY074S

OYA0610-50-2-12-P-1

Photoelectric sensors

Max. current load per output [mA]	400 (24 V)
Short-circuit protection	yes

Monitoring range

Protected area height [mm]	610
Resolution (detection capacity d)[mm]	50
Protected area width (range) [m]	0...4 / 3...12

Reaction times

Response time [ms]	6
--------------------	---

Environment

Applications	Class C to EN 60654-1 weatherproof application
Ambient temperature [°C]	-10...55
Storage temperature [°C]	-20...70
Max. relative air humidity [%]	95
Protection	IP 65 / IP 67

Tests / approvals

EMC	IEC 61496-1
Shock resistance	IEC 61496-1
Vibration resistance	IEC 61496-1

Safety classification

Mission time TM [h]	175200
Test interval T1 [Years]	20
Safety-related reliability PFHd [1/h]	2.8E-08
MTTFd [Years]	100
DC/CCF/Cat.	93.1% / 80 % / 2

Mechanical data

Length L [mm]	663
Housing materials	housing: aluminum; window: PC
Weight [kg]	2.45

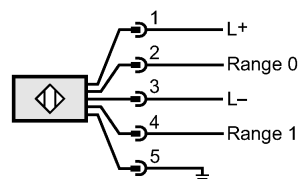
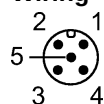
Displays / operating elements

Display	Transmitter 1 LED Receiver 2 LED
---------	-------------------------------------

Electrical connection

Transmitter	
Connection	M12 connector

Wiring Transmitter



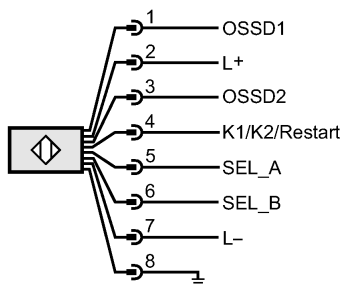
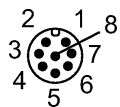
Receiver	
Connection	M12 connector

Wiring Receiver

OY074S

OYA0610-50-2-12-P-1

Photoelectric sensors



Max. connection cable length	[m]	100 *)
------------------------------	-----	--------

Accessories

Accessories (included)	4 assembly angles; 4 mounting nuts; nuts
------------------------	--

Remarks

Remarks	*) for wire cross-section 0.34 mm ²
---------	--

Pack quantity	[piece]	1
---------------	---------	---

ifm efector, inc. • 1100 Atwater Drive • Malvern • PA 19355 — We reserve the right to make technical alterations without prior notice. — US — OY074S — 01.06.2015

Please note the wiring of the sensor and the sockets (see data sheet) as for 8-pole sockets the core colours are not standardised.