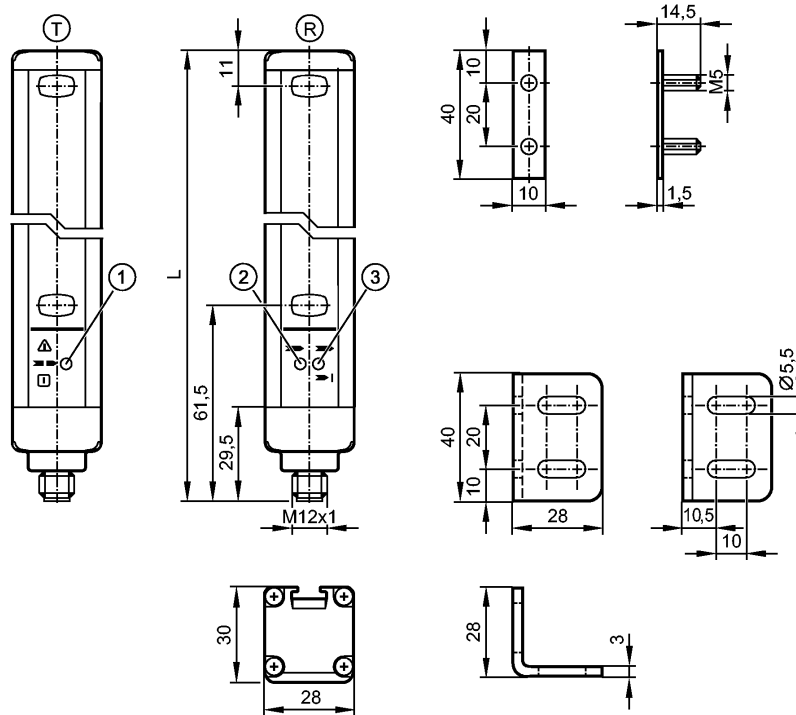


OY054S

OYA0610-40-2-12-P-1

Photoelectric sensors

Please note the wiring of the sensor and the sockets (see data sheet) as for 8-pole sockets the core colours are not standardised.



- T: Transmitter
- R: Receiver
- 1: LED 3 colours (red/green/orange)
- 2: LED (yellow)
- 3: LED 2 colours (red/green)



Product characteristics

Safety light curtain

Length L: 663 mm

Quick disconnect

Complies with the requirements:

type 2 (IEC 61496-1)

SILcl 1 (IEC 62061)

PL c (EN ISO 13849-1)

Electrical data

| Electrical design | DC PNP |
|-----------------------------|-----------------------|
| Operating voltage [V] | 24 DC (19.2...28.8) |
| Current consumption | |
| - Transmitter [mA] | 42 |
| - Receiver [mA] | 83 |
| Type of light | Infrared light 950 nm |
| Protection class | III |
| Reverse polarity protection | yes |
| Power-on delay time [s] | < 2 |

Outputs

| | |
|-----------------|---------|
| Outputs (OSSDs) | 2 x PNP |
|-----------------|---------|

OY054S

OYA0610-40-2-12-P-1

Photoelectric sensors

| | |
|-----------------------------------|------------|
| Max. current load per output [mA] | 400 (24 V) |
| Short-circuit protection | yes |

Monitoring range

| | |
|---------------------------------------|----------------|
| Protected area height [mm] | 610 |
| Resolution (detection capacity d)[mm] | 40 |
| Protected area width (range) [m] | 0...4 / 3...12 |

Reaction times

| | |
|--------------------|---|
| Response time [ms] | 7 |
|--------------------|---|

Environment

| | |
|--------------------------------|--|
| Applications | Class C to EN 60654-1 weatherproof application |
| Ambient temperature [°C] | -10...55 |
| Storage temperature [°C] | -20...70 |
| Max. relative air humidity [%] | 95 |
| Protection | IP 65 / IP 67 |

Tests / approvals

| | |
|----------------------|-------------|
| EMC | IEC 61496-1 |
| Shock resistance | IEC 61496-1 |
| Vibration resistance | IEC 61496-1 |

Safety classification

| | |
|---------------------------------------|-------------------|
| Mission time TM [h] | 175200 |
| Test interval T1 [Years] | 20 |
| Safety-related reliability PFHd [1/h] | 3.2E-08 |
| MTTFd [Years] | 100 |
| DC/CCF/Cat. | 92.77% / 80 % / 2 |

Mechanical data

| | |
|-------------------|-------------------------------|
| Length L [mm] | 663 |
| Housing materials | housing: aluminum; window: PC |
| Weight [kg] | 2.5 |

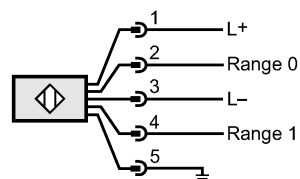
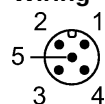
Displays / operating elements

| | |
|---------|-------------------------------------|
| Display | Transmitter 1 LED Receiver 2 LED |
|---------|-------------------------------------|

Electrical connection

| | |
|-------------|---------------|
| Transmitter | |
| Connection | M12 connector |

Wiring Transmitter



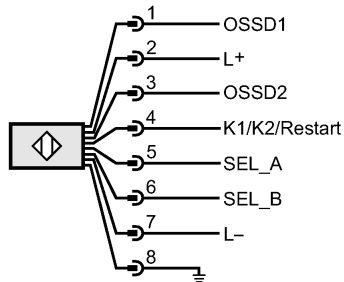
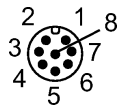
| | |
|------------|---------------|
| Receiver | |
| Connection | M12 connector |

Wiring Receiver

OY054S

OYA0610-40-2-12-P-1

Photoelectric sensors



| | |
|----------------------------------|--------|
| Max. connection cable length [m] | 100 *) |
|----------------------------------|--------|

Accessories

| | |
|------------------------|--|
| Accessories (included) | 4 assembly angles; 4 mounting nuts; nuts |
|------------------------|--|

Remarks

| | |
|---------|--|
| Remarks | *) for wire cross-section 0.34 mm ² |
|---------|--|

| | |
|-----------------------|---|
| Pack quantity [piece] | 1 |
|-----------------------|---|

ifm efector, inc. • 1100 Atwater Drive • Malvern • PA 19355 — We reserve the right to make technical alterations without prior notice. — US — OY054S — 01.06.2015

Please note the wiring of the sensor and the sockets (see data sheet) as for 8-pole sockets the core colours are not standardised.