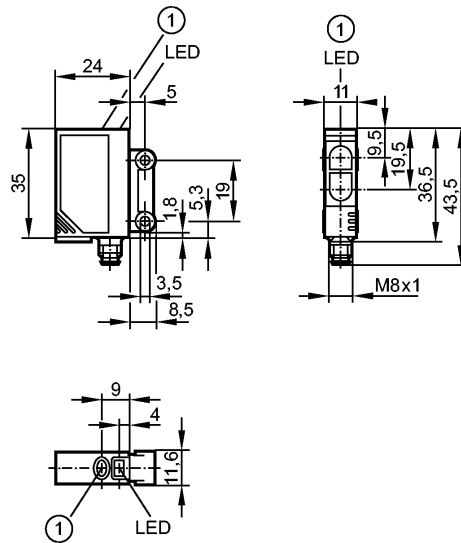


OJ5148

OJH-FPKG/SO/AS

Photoelectric sensors



1: pushbutton

Receiver in upper lens, transmitter in lower lens



Product characteristics

Diffuse reflection sensor
Rectangular, plastics
Quick disconnect
Electronic lock
Background suppression
External teach function
Side sensing
Range 15...400mm (Range referred to white paper 200 x 200 mm, 90 % remission)
adjustable

Electrical data

Electrical design	DC PNP
Operating voltage [V]	10...30 DC
Current consumption [mA]	25
Type of light	red light 660 nm
Protection class	III
Reverse polarity protection	yes

Outputs

Output function	light-on / dark-on programmable
Voltage drop [V]	< 2.5
Current rating [mA]	200
Short-circuit protection	yes (non-latching)
Overload protection	yes
Switching frequency [Hz]	1000

Monitoring range

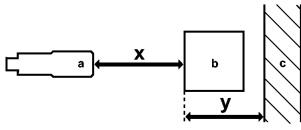
Range [mm]	15...400 (Range referred to white paper 200 x 200 mm, 90 % remission)
Light spot diameter [mm]	< 18 (Range 150 mm)

Background suppression chart

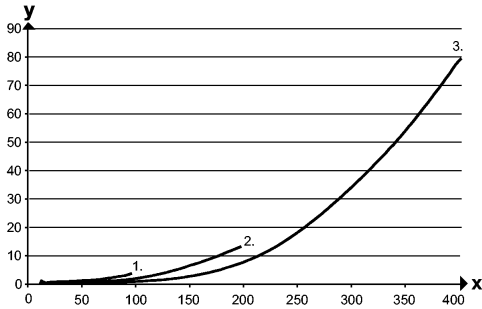
OJ5148

OJH-FPKG/SO/AS

Photoelectric sensors



- a: sensor
- b: object
- c: background
- x: distance sensor / object
- y: min. distance object / background



Values in [mm]
 1 = object black (6 % remission), background white (90 % remission)
 2 = object gray (18 % remission), background white (90 % remission)
 3 = object white (90 % remission), background white (90 % remission)

Environment

Ambient temperature	[°C]	-25...60
Protection		IP 67

Tests / approvals

EMC		EN 60947-5-2
MTTF	[Years]	556

Mechanical data

Housing materials	housing: ABS; LED window: SEPS; pushbutton: SEPS	
Lens material	PMMA	
Weight	[kg]	0.035

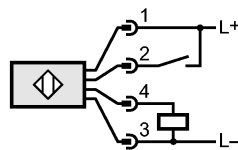
Displays / operating elements

Output status indication	LED	yellow
Power	LED	green

Electrical connection

Connection		M8 connector
------------	--	--------------

Wiring



2: Teach

Accessories

Accessories (included)	2 mounting screws; 2 spring washers; 2 nuts	
------------------------	---	--

Remarks

Remarks	cULus - Class 2 source required	
---------	---------------------------------	--



OJ5148

OJH-FPKG/SO/AS

Photoelectric sensors

Pack quantity [piece] 1