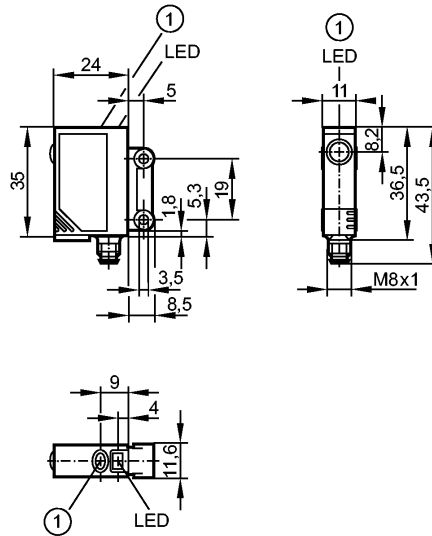


OJ5131

OJE-FPKG/SO/AS

Photoelectric sensors



1: pushbutton



Product characteristics

Through-beam sensor
Rectangular, plastics
Quick disconnect
Electronic lock
External teach function
Side sensing
Receiver
Sensing range 10m adjustable

Electrical data

Electrical design	DC PNP
Operating voltage [V]	10...30 DC
Current consumption [mA]	< 12
Type of light	red light 660 nm
Protection class	III
Reverse polarity protection	yes

Outputs

Output function	light-on / dark-on programmable
Voltage drop [V]	< 2.5
Current rating [mA]	200
Short-circuit protection	yes (non-latching)
Overload protection	yes
Switching frequency [Hz]	1200

Monitoring range

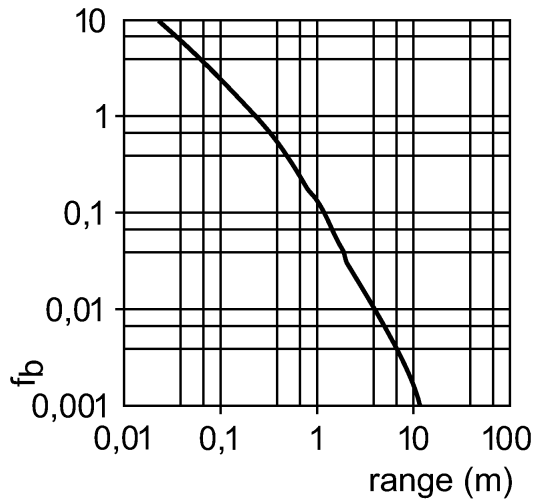
Sensing range [m]	10
-------------------	----

Excess gain graphs

OJ5131

OJE-FPKG/SO/AS

Photoelectric sensors



Environment

Ambient temperature	[°C]	-25...60
Protection		IP 67

Tests / approvals

EMC		EN 60947-5-2
MTTF	[Years]	952

Mechanical data

Housing materials		housing: ABS; LED window: SEPS; pushbutton: SEPS
Lens material		glass
Weight	[kg]	0.041

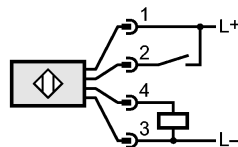
Displays / operating elements

Output status indication	LED	yellow
Power	LED	green
Function display	LED	red

Electrical connection

Connection		M8 connector
------------	--	--------------

Wiring



2: Teach

Accessories

Accessories (included)		2 mounting screws; 2 spring washers; 2 nuts
------------------------	--	---

Remarks

Remarks		cULus - Class 2 source required
---------	--	---------------------------------

Pack quantity	[piece]	1
---------------	---------	---