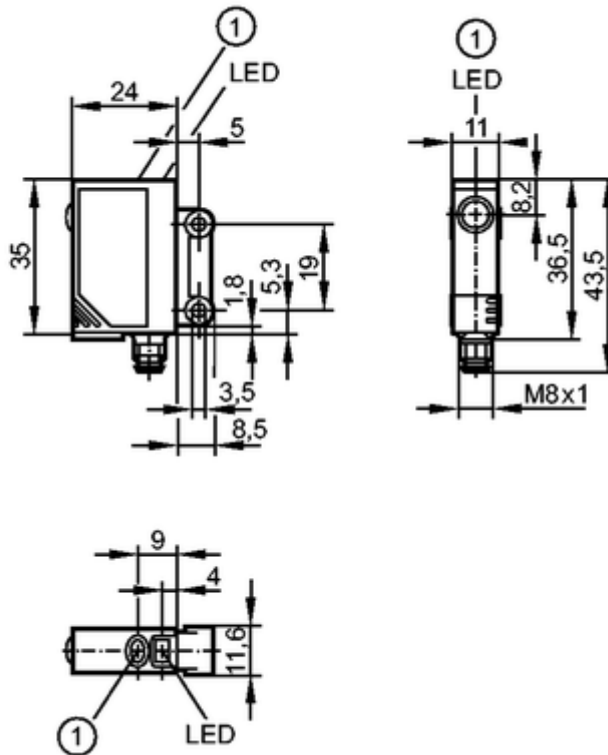




OJ5126

OJP-FPKG/SO/AS

Photoelectric sensors



1: pushbutton



Product characteristics

Retro-reflective sensor

Rectangular, plastics

Connector

Polarisation filter

Electronic lock

External teach function

Side sensing

Sensing range 0...2m (Prismatic reflector \varnothing 80 (E20005))

adjustable

Electrical data

Electrical design	DC PNP
Operating voltage [V]	10...30 DC
Current consumption [mA]	< 22
Type of light	Red light 660 nm
Protection class	III
Reverse polarity protection	yes

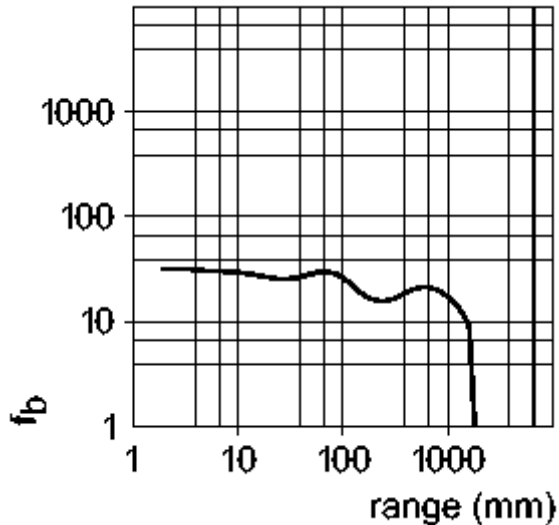
Outputs

Output function	light-on / dark-on programmable
Voltage drop [V]	< 2.5

Current rating [mA]	200
Short-circuit protection	pulsed
Overload protection	yes
Switching frequency [Hz]	2000

Range

Sensing range [m]	0...2 (Prismatic reflector Ø 80 (E20005))
Light spot diameter [mm]	64 (at maximum range)

Excess gain graphs**Environment**

Ambient temperature [°C]	-25...60
Protection	IP 67

Tests / approvals

EMC	EN 60947-5-2
MTTF [Years]	854

Mechanical data

Housing materials	housing: ABS; LED window: SEPS; pushbutton: SEPS
Lens material	glass
Weight [kg]	0.042

Displays / operating elements

Output status indication LED	yellow
Operation LED	green
Function display LED	Red

Electrical connection

Connection	M8 connector
------------	--------------

Wiring

2: Teach

Accessories	
Accessories (included)	2 mounting screws; 2 spring washers; 2 nuts
Remarks	
Remarks	cULus - Class 2 source required
Pack quantity [piece]	1

ifm electronic gmbh • Friedrichstraße 1 • 45128 Essen — We reserve the right to make technical alterations without prior notice. — GB — OJ5126 — 11.08.2009