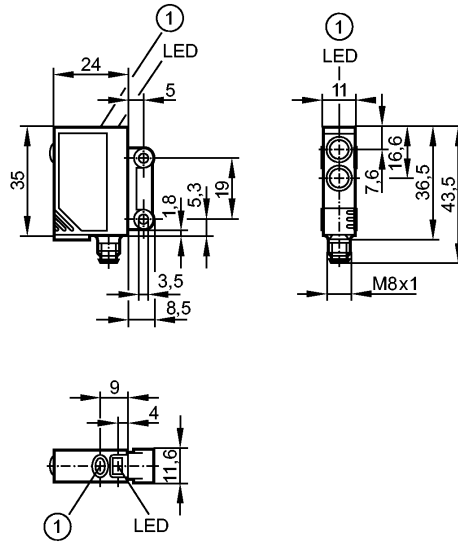


**OJ5122**

OJB-FPKG/SO/AS

Photoelectric sensors



1: pushbutton



**Product characteristics**

- Diffuse reflection sensor
- Rectangular, plastics
- Quick disconnect
- Electronic lock
- External teach function
- Side sensing
- Range 1...600mm (Range referred to white paper 200 x 200 mm, 90 % remission)
- adjustable

**Electrical data**

Electrical design	DC PNP
Operating voltage [V]	10...30 DC
Current consumption [mA]	< 22
Type of light	red light 660 nm
Protection class	III
Reverse polarity protection	yes

**Outputs**

Output function	light-on / dark-on programmable
Voltage drop [V]	< 2.5
Current rating [mA]	200
Short-circuit protection	yes (non-latching)
Overload protection	yes
Switching frequency [Hz]	2000

**Monitoring range**

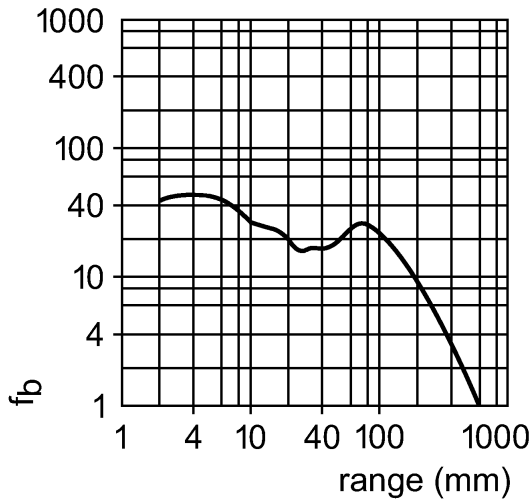
Range [mm]	1...600 (Range referred to white paper 200 x 200 mm, 90 % remission)
Light spot diameter [mm]	60 ( at maximum range )

**Excess gain graphs**

**OJ5122**

OJB-FPKG/SO/AS

Photoelectric sensors



**Environment**

Ambient temperature	[°C]	-25...60
Protection		IP 67

**Tests / approvals**

EMC		EN 60947-5-2
MTTF	[Years]	854

**Mechanical data**

Housing materials		housing: ABS; LED window: SEPS; pushbutton: SEPS
Lens material		glass
Weight	[kg]	0.041

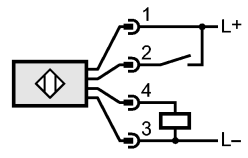
**Displays / operating elements**

Output status indication	LED	yellow
Power	LED	green
Function display	LED	red

**Electrical connection**

Connection		M8 connector
------------	--	--------------

**Wiring**



2: Teach

**Accessories**

Accessories (included)		2 mounting screws; 2 spring washers; 2 nuts
------------------------	--	---

**Remarks**

Remarks		cULus - Class 2 source required
---------	--	---------------------------------

Pack quantity	[piece]	1
---------------	---------	---