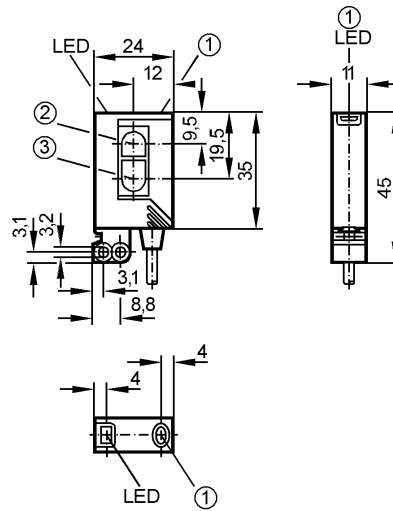


OJ5088

OJH-FPKG/FO/2M

Photoelectric sensors



- 1: pushbutton
- 2: Receiver
- 3: Transmitter



Product characteristics

Diffuse reflection sensor
Rectangular, plastics
Cable
Electronic lock
External teach function
Front sensing
Background suppression
Range 15...400mm (Range referred to white paper 200 x 200 mm, 90 % remission) adjustable

Electrical data

Electrical design	DC PNP
Operating voltage [V]	10...30 DC
Current consumption [mA]	25
Type of light	red light 660 nm
Protection class	III
Reverse polarity protection	yes

Outputs

Output function	light-on / dark-on programmable
Voltage drop [V]	< 2.5
Current rating [mA]	200
Short-circuit protection	yes (non-latching)
Overload protection	yes
Switching frequency [Hz]	1000

Monitoring range

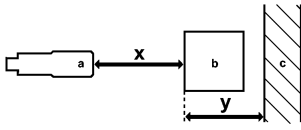
Range [mm]	15...400 (Range referred to white paper 200 x 200 mm, 90 % remission)
Light spot diameter [mm]	< 18 (Range 150 mm)

Background suppression chart

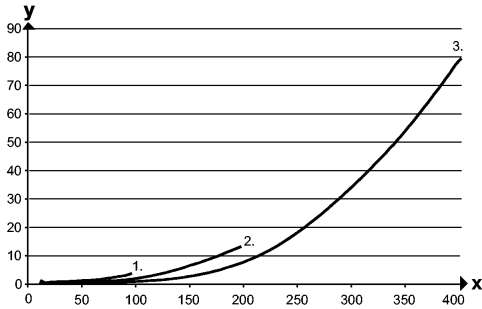
OJ5088

OJH-FPKG/FO/2M

Photoelectric sensors



- a: sensor
- b: object
- c: background
- x: distance sensor / object
- y: min. distance object / background



- Values in [mm]
- 1 = object black (6 % remission), background white (90 % remission)
 - 2 = object gray (18 % remission), background white (90 % remission)
 - 3 = object white (90 % remission), background white (90 % remission)

Environment

Ambient temperature	[°C]	-25...60
Protection		IP 67

Tests / approvals

EMC		EN 60947-5-2
MTTF	[Years]	556

Mechanical data

Housing materials	housing: ABS; fixture: diecast zinc; LED window: SEPS; pushbutton: SEPS; connector body: Hytrel 8068; connector thread: stainless steel 316L / 1.4404
Lens material	PMMA
Weight	[kg] 0.068

Displays / operating elements

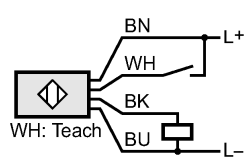
Output status indication	LED	yellow
Power	LED	green

Electrical connection

Connection	PVC cable / 2 m
------------	-----------------

Wiring

- Core colors
- BK black
 - BN brown
 - BU blue
 - WH white



Accessories

Accessories (included)	Basic clip; E20964; 2 mounting screws; M3 x 16; 2 spring washers; 2 nuts
------------------------	--

Remarks

Pack quantity	[piece] 1
---------------	-----------