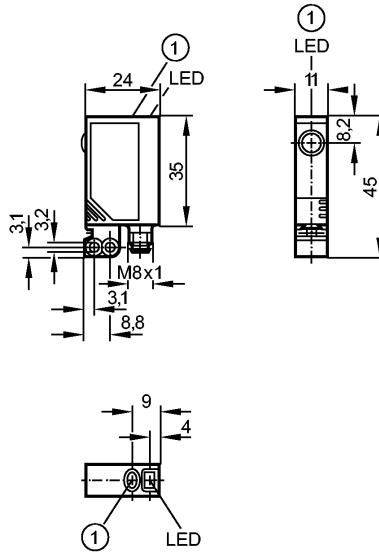


OJ5086

OJPGFPKG/SO/AS

Photoelectric sensors



1: pushbutton



Product characteristics

| |
|--|
| Retro-reflective sensor |
| Rectangular, plastics |
| Quick disconnect |
| Glass and film detection |
| Polarization filter |
| Electronic lock |
| External teach function |
| Side sensing |
| Sensing range 0.2...1.5m (Prismatic reflector 50 x 50 mm (E20722)) |
| adjustable |

Electrical data

| | |
|-----------------------------|------------------|
| Electrical design | DC PNP |
| Operating voltage [V] | 10...30 DC |
| Current consumption [mA] | < 22 |
| Type of light | red light 660 nm |
| Protection class | III |
| Reverse polarity protection | yes |

Outputs

| | |
|--------------------------|---------------------------------|
| Output function | light-on / dark-on programmable |
| Voltage drop [V] | < 2.5 |
| Current rating [mA] | 200 |
| Short-circuit protection | yes (non-latching) |
| Overload protection | yes |
| Switching frequency [Hz] | 2000 |

Monitoring range

| | |
|-------------------|---|
| Sensing range [m] | 0.2...1.5 (Prismatic reflector 50 x 50 mm (E20722)) |
|-------------------|---|

OJ5086

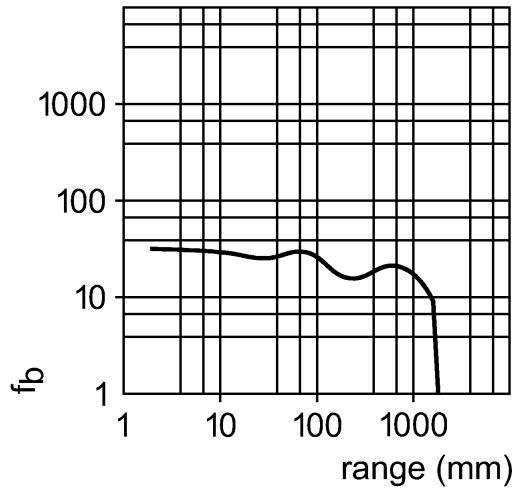
OJPGFPKG/SO/AS

Photoelectric sensors

| | | | |
|---------------------------------------|-----|--------|------------|
| Range referred to prismatic reflector | [m] | E20722 | 0.2...1.5 |
| | | E20991 | 0.15...0.4 |
| | | E20992 | 0.15...0.3 |

| | | |
|---------------------|------|-------------------------|
| Light spot diameter | [mm] | 64 (at maximum range) |
|---------------------|------|-------------------------|

Excess gain graphs



Environment

| | | |
|---------------------|------|--------|
| Ambient temperature | [°C] | 0...60 |
| Protection | | IP 67 |

Tests / approvals

| | | |
|------|---------|--------------|
| EMC | | EN 60947-5-2 |
| MTTF | [Years] | 854 |

Mechanical data

| | | |
|-------------------|------|---|
| Housing materials | | housing: ABS; fixture: diecast zinc; LED window: SEPS; pushbutton: SEPS |
| Lens material | | glass |
| Weight | [kg] | 0.038 |

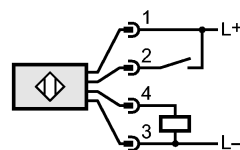
Displays / operating elements

| | | |
|--------------------------|-----|--------|
| Output status indication | LED | yellow |
| Power | LED | green |
| Function display | LED | red |

Electrical connection

| | | |
|------------|--|--------------|
| Connection | | M8 connector |
|------------|--|--------------|

Wiring



2: Teach

Accessories

| | | |
|------------------------|--|--|
| Accessories (included) | | Basic clip; E20964; 2 mounting screws; M3 x 16; 2 spring washers; 2 nuts |
|------------------------|--|--|

Remarks

| | | |
|---------|--|---------------------------------|
| Remarks | | cULus - Class 2 source required |
|---------|--|---------------------------------|



OJ5086

OJPGFPKG/SO/AS

Photoelectric sensors

Pack quantity [piece] 1