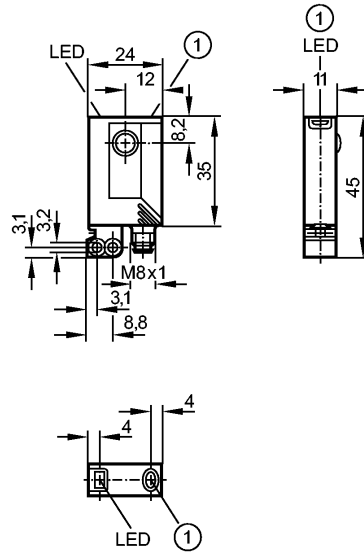


**OJ5085**

OJPGFPKG/FO/AS

Photoelectric sensors



1: pushbutton



**Product characteristics**

Retro-reflective sensor	
Rectangular, plastics	
Quick disconnect	
Glass and film detection	
Polarization filter	
Electronic lock	
External teach function	
Front sensing	
Sensing range 0.2...1.5m (Prismatic reflector 50 x 50 mm (E20722))	
adjustable	

**Electrical data**

Electrical design		DC PNP
Operating voltage [V]		10...30 DC
Current consumption [mA]		< 22
Type of light		red light 660 nm
Protection class		III
Reverse polarity protection		yes

**Outputs**

Output function		light-on / dark-on programmable
Voltage drop [V]		< 2.5
Current rating [mA]		200
Short-circuit protection		yes (non-latching)
Overload protection		yes
Switching frequency [Hz]		2000

**Monitoring range**

Sensing range [m]		0.2...1.5 (Prismatic reflector 50 x 50 mm (E20722))
-------------------	--	---

**OJ5085**

OJPGFPKG/FO/AS

Photoelectric sensors

Range referred to prismatic reflector	[m]	E20722 0.2...1.5 E20991 0.15...0.4 E20992 0.15...0.3
---------------------------------------	-----	--

Light spot diameter	[mm]	64 ( at maximum range )
---------------------	------	-------------------------

**Environment**

Ambient temperature	[°C]	0...60
---------------------	------	--------

Protection		IP 67
------------	--	-------

**Tests / approvals**

EMC		EN 60947-5-2
-----	--	--------------

MTTF	[Years]	867
------	---------	-----

**Mechanical data**

Housing materials		housing: ABS; fixture: diecast zinc; LED window: SEPS; pushbutton: SEPS
-------------------	--	---

Lens material		glass
---------------	--	-------

Weight	[kg]	0.039
--------	------	-------

**Displays / operating elements**

Output status indication	LED	yellow
--------------------------	-----	--------

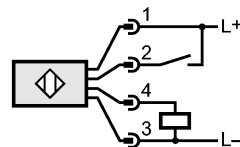
Power	LED	green
-------	-----	-------

Function display	LED	red
------------------	-----	-----

**Electrical connection**

Connection		M8 connector
------------	--	--------------

**Wiring**



2: Teach

**Accessories**

Accessories (included)		Basic clip; E20964; 2 mounting screws; M3 x 16; 2 spring washers; 2 nuts
------------------------	--	--

**Remarks**

Remarks		cULus - Class 2 source required
---------	--	---------------------------------

Pack quantity	[piece]	1
---------------	---------	---