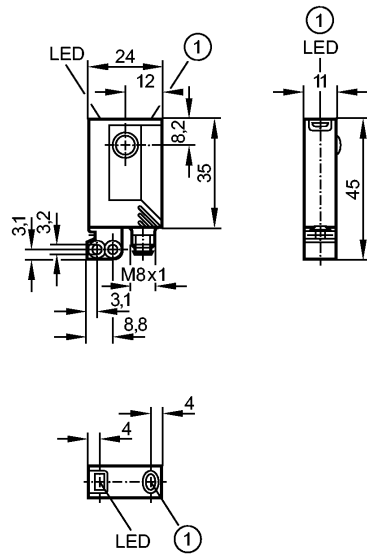


OJ5008

OJS-OOKG/FO/AS

Photoelectric sensors



1: Pushbutton without function



Product characteristics

Through-beam sensor

Rectangular, plastics

Quick disconnect

Front sensing

Transmitter

Sensing range 10m

Electrical data

Electrical design		DC
Operating voltage	[V]	10...30 DC
Current consumption	[mA]	< 19
Type of light		red light 660 nm
Protection class		III
Reverse polarity protection		yes

Outputs

Overload protection		yes
---------------------	--	-----

Monitoring range

Sensing range	[m]	10
Light spot diameter	[mm]	1000 (at maximum range)

Environment

Ambient temperature	[°C]	-25...60
Protection		IP 67

Tests / approvals

EMC		EN 60947-5-2
MTTF	[Years]	1773

Mechanical data

Housing materials	housing: ABS; fixture: diecast zinc; LED window: SEPS; pushbutton: SEPS	
Lens material	glass	

OJ5008

OJS-OOKG/FO/AS

Photoelectric sensors

Weight	[kg]	0.04
--------	------	------

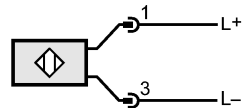
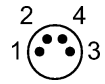
Displays / operating elements

Power	LED	green
-------	-----	-------

Electrical connection

Connection	M8 connector
------------	--------------

Wiring



Accessories

Accessories (included)	Basic clip; E20964; 2 mounting screws; M3 x 16; 2 spring washers; 2 nuts
------------------------	--

Remarks

Remarks	cULus - Class 2 source required
---------	---------------------------------

Pack quantity	[piece]	1
---------------	---------	---