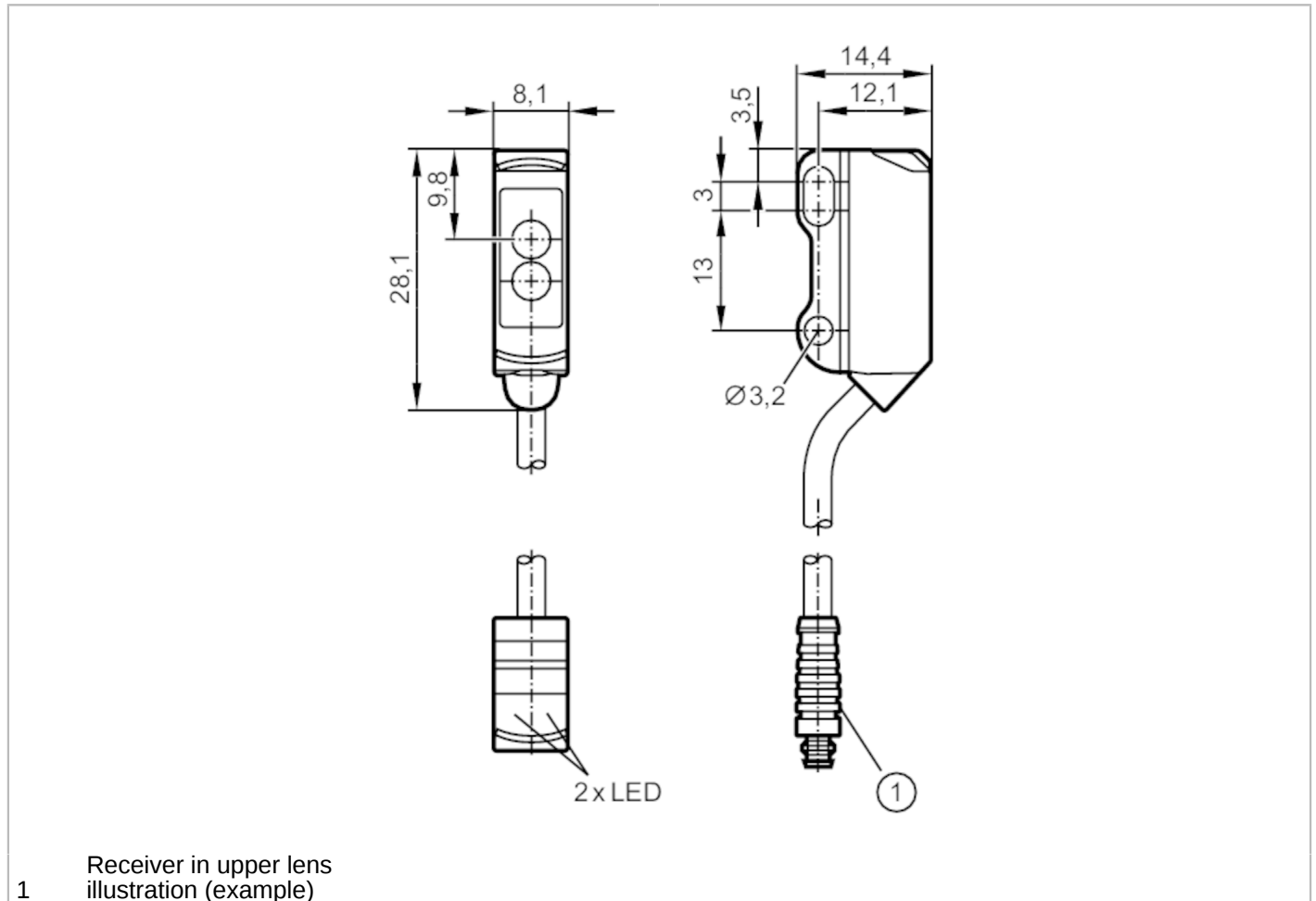


O8E203



Through-beam sensor receiver

O8E-DNKG/0,30M/AS/3P



1 Receiver in upper lens illustration (example)



Product characteristics	
Type of light	red light
Housing	rectangular
Application	
Function principle	Through-beam sensor
Electrical data	
Operating voltage [V]	10...30 DC
Current consumption [mA]	15; ((24 V))
Protection class	III
Reverse polarity protection	yes
Type of light	red light
Wave length [nm]	633

O8E203



Through-beam sensor receiver

O8E-DNKG/0,30M/AS/3P

Outputs		
Electrical design		NPN
Output function		dark-on mode
Max. voltage drop switching output DC	[V]	2.5
Permanent current rating of switching output DC	[mA]	100
Switching frequency DC	[Hz]	1000
Short-circuit protection		yes
Type of short-circuit protection		yes (non-latching)
Monitoring range		
Transmitter / receiver		receiver
Range	[m]	< 3
Operating conditions		
Ambient temperature	[°C]	-25...60
Protection		IP 65; IP 67
Tests / approvals		
EMC		EN 60947-5-2
MTTF	[years]	1152
UL approval	Ta	-25...60 °C
	Enclosure type	Type 1
	voltage supply	Limited Voltage/Current
	UL approval number	E015
	File number UL	E174191
Mechanical data		
Weight	[g]	23.5
Housing		rectangular
Dimensions	[mm]	28.1 x 8.1 x 14.4
Material		housing: ABS; stainless steel (1.4404 / 316L)
Lens material		PMMA
Lens alignment		Side sensing
Displays / operating elements		
Display	Switching status	1 x LED, yellow
	Power	1 x LED, green
Remarks		
Pack quantity		1 pcs.
Electrical connection		
Cable: 0.3 m, PVC, black, Ø 2.9 mm; 3 x 0.08 mm ²		
Connector: 1 x M8; coding: A		

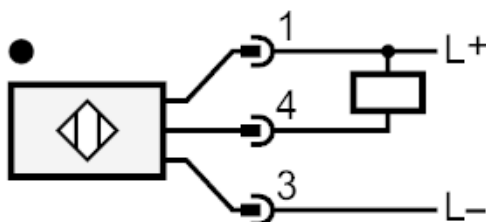


Through-beam sensor receiver

O8E-DNKG/0,30M/AS/3P

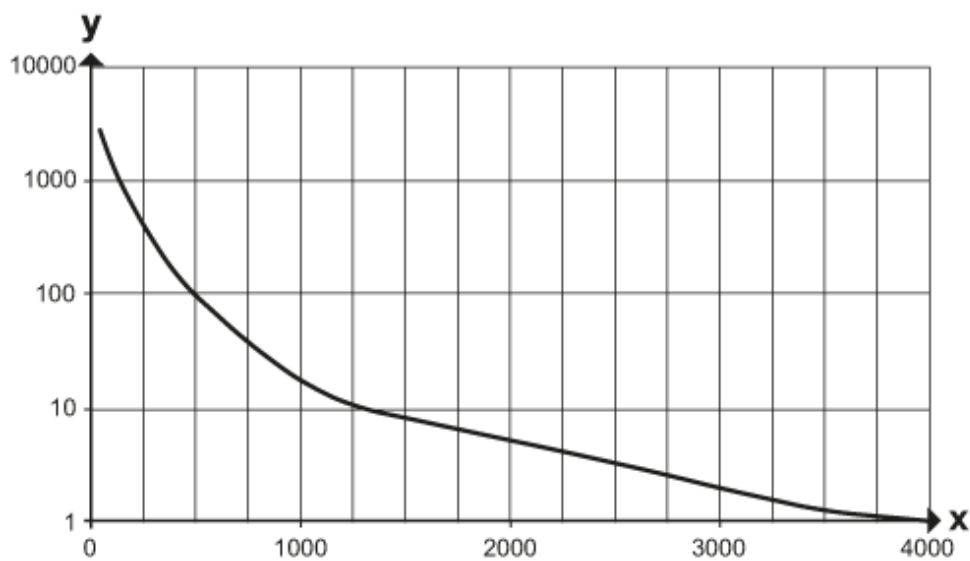


Connection



Diagrams and graphs

excess gain graph



x: distance [mm]

y: excess gain factor