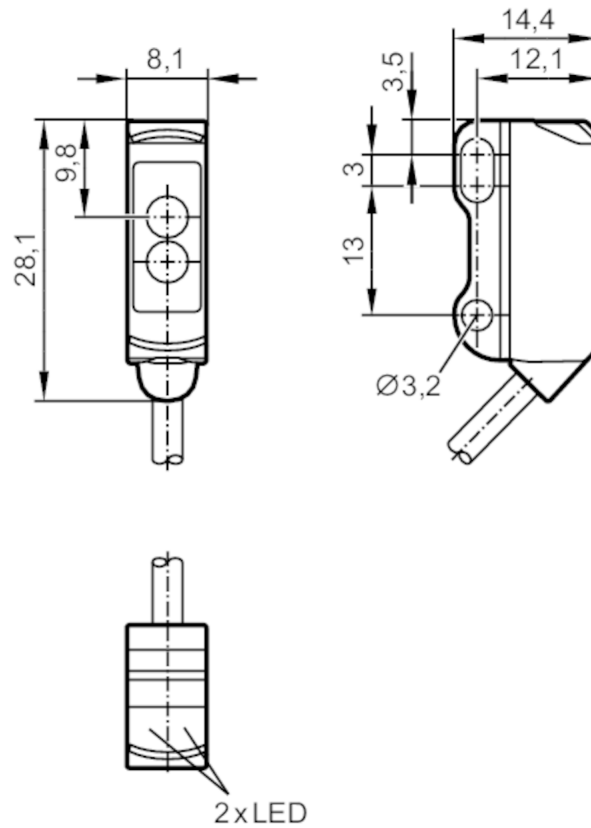


O8E200



Through-beam sensor receiver

O8E-FPKG/IO-Link/2,0M



Receiver in upper lens



Product characteristics

Type of light	red light
Housing	rectangular

Application

Function principle	Through-beam sensor
--------------------	---------------------

Electrical data

Operating voltage	[V]	10...30 DC
Current consumption	[mA]	15; ((24 V))
Protection class		III
Reverse polarity protection		yes
Type of light		red light
Wave length	[nm]	633



Through-beam sensor receiver

O8E-FPKG/IO-Link/2,0M

Outputs		
Electrical design		PNP
Output function		light-on/dark-on mode; (programmable)
Max. voltage drop switching output DC	[V]	2.5
Permanent current rating of switching output DC	[mA]	100
Switching frequency DC	[Hz]	1000
Short-circuit protection		yes
Type of short-circuit protection		yes (non-latching)
Monitoring range		
Transmitter / receiver		receiver
Range	[m]	< 3
Interfaces		
Communication interface		IO-Link
Transmission type		COM2 (38,4 kBaud)
IO-Link revision		1.1
SDCI standard		IEC 61131-9
Profiles		Smart Sensor: Device Identification; Device Diagnosis; Teach Channel; Switching Channel
SIO mode		yes
Required master port class		A
Min. process cycle time	[ms]	2.5
IO-Link process data (cyclical)	Function	bit length
	process value	8
	device status	4
IO-Link functions (acyclical)	binary switching information	1
	application specific tag; operating hours counter; switching cycles counter	
Supported DeviceIDs	Type of operation	DeviceID
	default	787
Operating conditions		
Ambient temperature	[°C]	-25...60
Protection		IP 65; IP 67
Tests / approvals		
EMC		EN 60947-5-2
MTTF	[years]	1139
UL approval	Ta	-25...60 °C
	Enclosure type	Type 1
	voltage supply	Limited Voltage/Current
	UL approval number	E016
	File number UL	E174191

O8E200



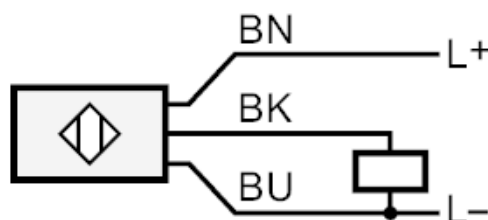
Through-beam sensor receiver

O8E-FPKG/IO-Link/2,0M

Mechanical data		
Weight	[g]	38.4
Housing		rectangular
Dimensions	[mm]	28.1 x 8.1 x 14.4
Material		housing: ABS; stainless steel (1.4404 / 316L)
Lens material		PMMA
Lens alignment		Side sensing
Displays / operating elements		
Display	Switching status	1 x LED, yellow
	Power	1 x LED, green
Remarks		
Pack quantity		1 pcs.

Electrical connection	
Cable: 2 m, PVC, black, Ø 2.9 mm; 3 x 0.08 mm ²	

Connection



	Core colors :
BN	brown
BK	black
BU	blue

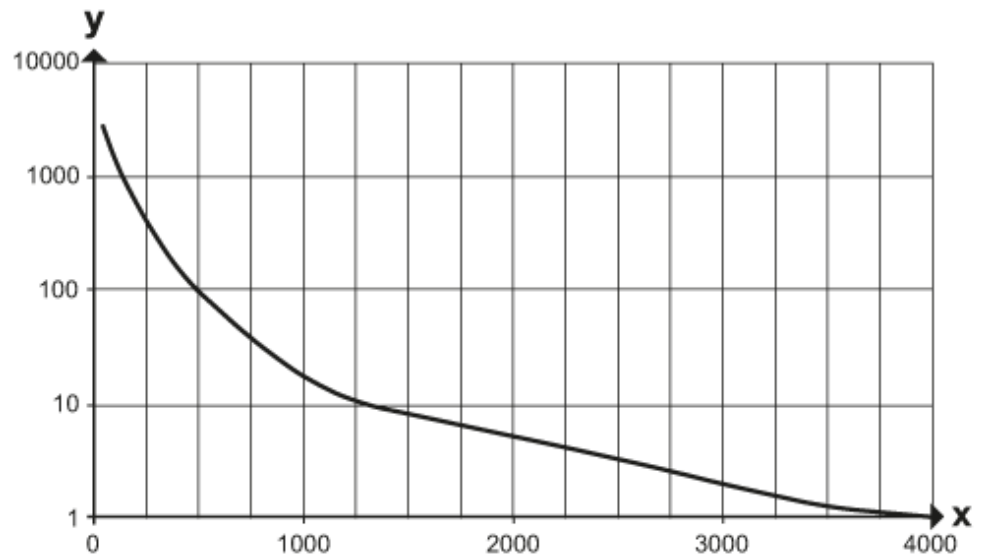


Through-beam sensor receiver

O8E-FPKG/IO-Link/2,0M

Diagrams and graphs

excess gain graph



x: distance [mm]

y: excess gain factor