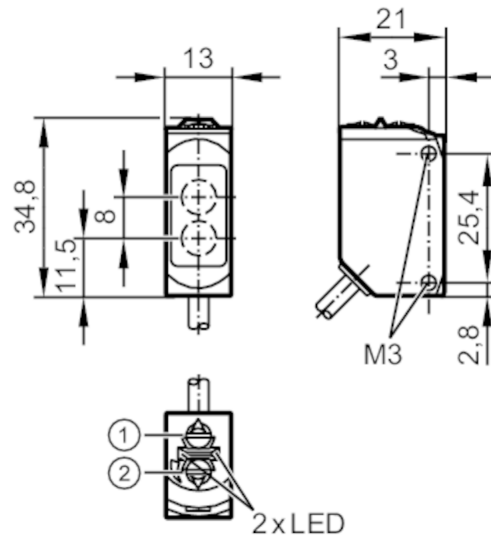


O6T405



Diffuse reflection sensor

O6T-FNKG/0,30m/US



- 1 output function switch
 - 2 potentiometer sensitivity
- Receiver in upper lens
transmitter in lower lens



Product characteristics

Type of light	red light
Housing	rectangular

Application

Function principle	Diffuse reflection sensor
Application	suited for use in the machine tool industry

Electrical data

Operating voltage [V]	10...30 DC
Current consumption [mA]	16; ((24 V))
Protection class	III
Reverse polarity protection	yes
Type of light	red light
Wave length [nm]	633

Outputs

Electrical design	NPN
Output function	light-on/dark-on mode; (selectable)
Max. voltage drop switching output DC [V]	2.5
Permanent current rating of switching output DC [mA]	100
Switching frequency DC [Hz]	1000
Short-circuit protection	yes
Type of short-circuit protection	yes (non-latching)

O6T405



Diffuse reflection sensor

O6T-FNKG/0,30m/US

Monitoring range	
Range [mm]	5...500; (white paper 200 x 200 mm 90 % remission)
Range adjustable	yes
Max. light spot diameter [mm]	15
Light spot dimensions refer to	at maximum range
Monitoring range final value [mm]	100...500

Operating conditions	
Ambient temperature [°C]	-25...60
Protection	IP 65; IP 67; IP 68

Tests / approvals	
EMC	EN 60947-5-2
MTTF [years]	896
UL approval	UL approval number E020

Mechanical data	
Weight [g]	51.4
Housing	rectangular
Dimensions [mm]	34.8 x 13 x 21
Material	housing: stainless steel (1.4404 / 316L); plastics: PPSU; sealing: FKM
Lens material	PMMA
Lens alignment	Side sensing

Displays / operating elements		
Display	Switching status	1 x LED, yellow
	Power	1 x LED, green

Remarks	
Remarks	cULus - Class 2 source required
Pack quantity	1 pcs.

Electrical connection

Cable: 0.3 m, PUR; 3 x 0.25 mm²

Connector: 1 x M12; coding: A



O6T405



Diffuse reflection sensor

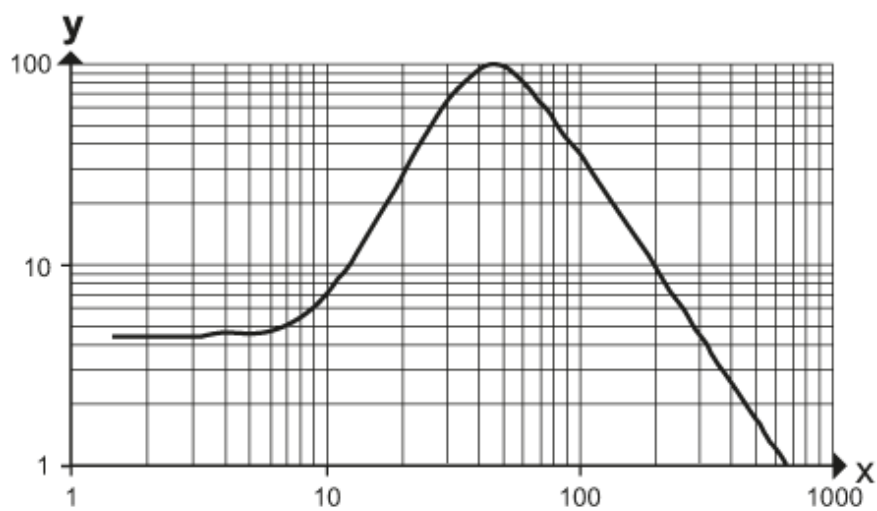
O6T-FNKG/0,30m/US

Connection



Diagrams and graphs

excess gain graph



x: distance [mm]

y: excess gain factor