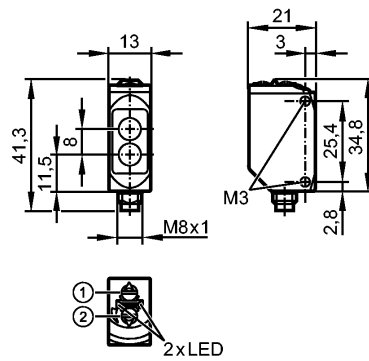


O6H303

O6H-FPKG/AS/4P

Photoelectric sensors



- 1: output function switch
- 2: potentiometer sensitivity

Empfänger in oberer Optik
Sender in unterer Optik



Product characteristics

Diffuse reflection sensor
Rectangular Metal
Quick disconnect
adjustable
Background suppression
Suited for use in the food and beverage industry (use of cleaning agents under high pressure and at high temperatures)
Range 2...200mm (referred to white paper 200 x 200 mm)

Electrical data

Electrical design	DC PNP
Operating voltage [V]	10...30 DC
Current consumption [mA]	22 (24 V)
Type of light	red light 633 nm
Protection class	III
Reverse polarity protection	yes

Outputs

Output function	light-on/dark-on mode selectable
Voltage drop [V]	< 2.5
Current rating [mA]	100
Short-circuit protection	yes (non-latching)
Switching frequency [Hz]	1000

Monitoring range

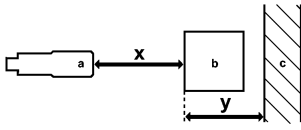
Range [mm]	
Range [mm]	2...200 (referred to white paper 200 x 200 mm)
- Object white (90 % remission)	2...200
- Object grey (18 % remission)	4...200
- Object black (6 % remission)	8...200
Light spot diameter [mm]	8 (at maximum range)

Background suppression chart

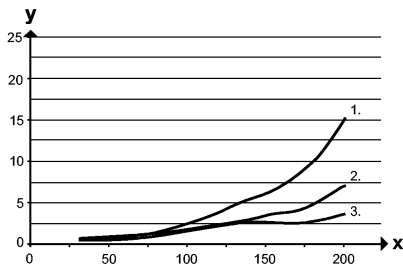
O6H303

O6H-FPKG/AS/4P

Photoelectric sensors



- a: sensor
- b: object
- c: background
- x: distance sensor / object
- y: min. distance object / background



Values in [mm]
 1 = object black (6 % remission), background white (90 % remission)
 2 = object gray (18 % remission), background white (90 % remission)
 3 = object white (90 % remission), background white (90 % remission)

Environment

Ambient temperature	[°C]	-25...80
Protection		IP 65 / IP 67 ; IP 68 / IP 69K

Tests / approvals

EMC		EN 60947-5-2
MTTF	[Years]	708
UL approval number		E001

Mechanical data

Housing materials		housing: stainless steel 316L / 1.4404; plastics: PPSU; sealing: EPDM
Lens material		PMMA
Weight	[kg]	0.036

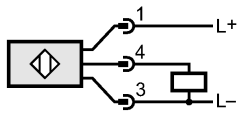
Displays / operating elements

Output status indication	LED	yellow
Power	LED	green

Electrical connection

Connection		M8 connector
------------	--	--------------

Wiring



Remarks

Remarks		cULus - Class 2 source required
Pack quantity	[piece]	1