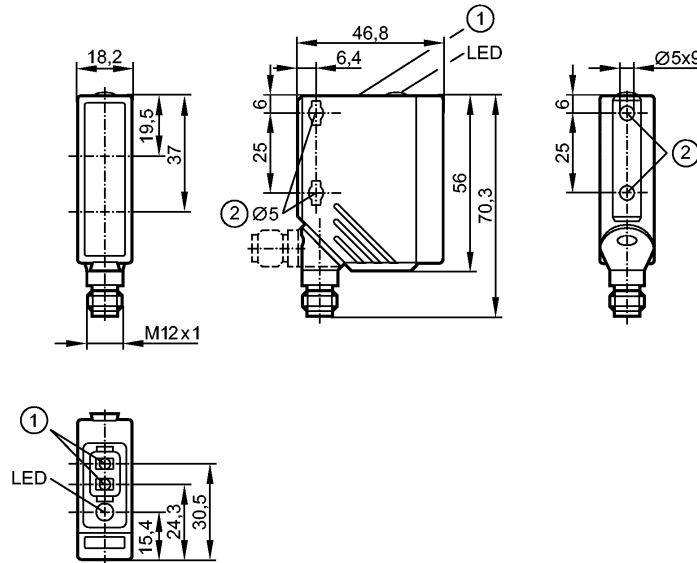


O5P500

O5P-FPKG/US100

Photoelectric sensors



- 1: Programming buttons
- 2: When a M5 mounting screw is used, the max. tightening torque is 2 Nm.

Receiver in upper lens, transmitter in lower lens



Product characteristics

Retro-reflective sensor
Rectangular, plastics
Quick disconnect
Polarization filter
Teach function
Electronic lock
Sensing range 0.075...10m (Prismatic reflector Ø 80 (E20005))
adjustable

Electrical data

Electrical design	DC PNP
Operating voltage [V]	10...36 DC
Current consumption [mA]	20
Type of light	red light 624 nm
Protection class	II
Reverse polarity protection	yes

Outputs

Output function	light-on / dark-on programmable via pushbutton
Voltage drop [V]	< 2.5
Current rating [mA]	200
Short-circuit protection	yes (non-latching)
Overload protection	yes
Switching frequency [Hz]	2000

Monitoring range

Sensing range [m]	0.075...10 (Prismatic reflector Ø 80 (E20005))	
Range referred to prismatic reflector [m]	Ø 80 mm	0.075...10
	50 x 50 mm	0.075...10

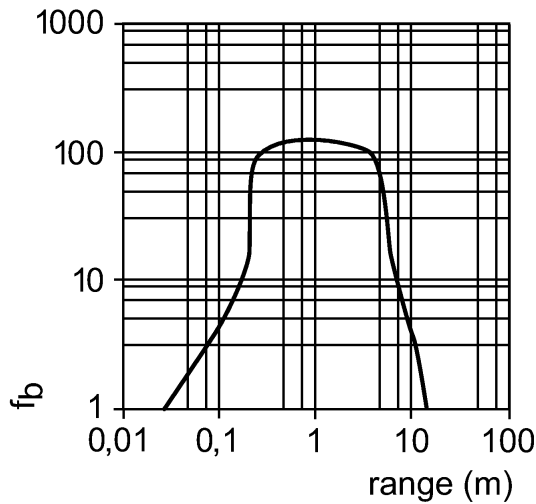
O5P500

O5P-FPKG/US100

Photoelectric sensors

Light spot diameter [mm] 250 (at maximum range)

Excess gain graphs



Environment

Ambient temperature [°C] -25...60
 Protection IP 67

Tests / approvals

EMC EN 60947-5-2
 MTTF [Years] 435

Mechanical data

Housing materials housing: PA; Front framework: high-grade stainless steel; operator interface: TPU (urethane)
 Lens material PMMA
 Weight [kg] 0.068

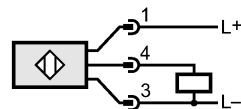
Displays / operating elements

Output status indication LED yellow

Electrical connection

Connection M12 connector

Wiring



Remarks

Remarks cULus - Class 2 source required

Pack quantity [piece] 1