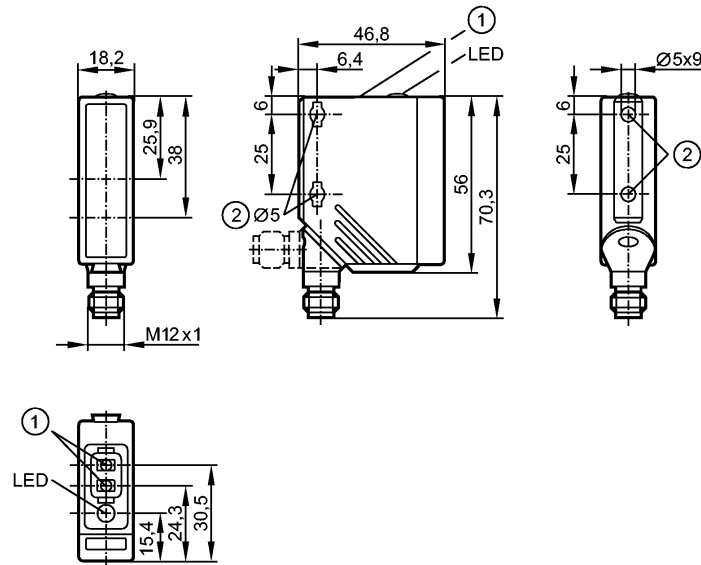


O5K500

O5K-FAKG/US100

Photoelectric sensors



- 1: Programming buttons
- 2: When a M5 mounting screw is used, the max. tightening torque is 2 Nm.

Receiver in upper lens, transmitter in lower lens



Product characteristics

Diffuse contrast sensor	
Rectangular, plastics	
Quick disconnect	
Automatic detection PNP/NPN	
Teach function	
Electronic lock	
Range 18...22mm	

Electrical data

Electrical design		DC PNP/NPN
Operating voltage	[V]	10...36 DC
Current consumption	[mA]	50 (24 V)
Type of light		red light 625 nm; green light 525 nm; blue light 465 nm
Protection class		II
Reverse polarity protection		yes

Outputs

Output function		light-on / dark-on programmable
Voltage drop	[V]	< 2.5
Current rating	[mA]	200
Short-circuit protection		yes (non-latching)
Overload protection		yes
Switching frequency	[Hz]	10000

Monitoring range

Range	[mm]	18...22
Light spot diameter	[mm]	1.5 x 5 (vertical)

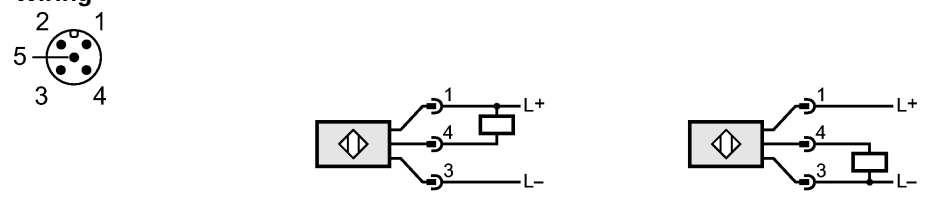
Reaction times

Response time	[ms]	< 0.05
---------------	------	--------

O5K500

O5K-FAKG/US100

Photoelectric sensors

Environment	
Ambient temperature [°C]	-25...60
Protection	IP 67
Tests / approvals	
EMC	EN 60947-5-2
MTTF [Years]	568
Mechanical data	
Housing materials	housing: PA; Front framework: high-grade stainless steel; operator interface: TPU/PC
Lens material	window: PMMA
Weight [kg]	0.08
Displays / operating elements	
Output status indication LED	yellow
Electrical connection	
Connection	M12 connector
Wiring 	
Remarks	
Remarks	cULus - Class 2 source required
Pack quantity [piece]	1