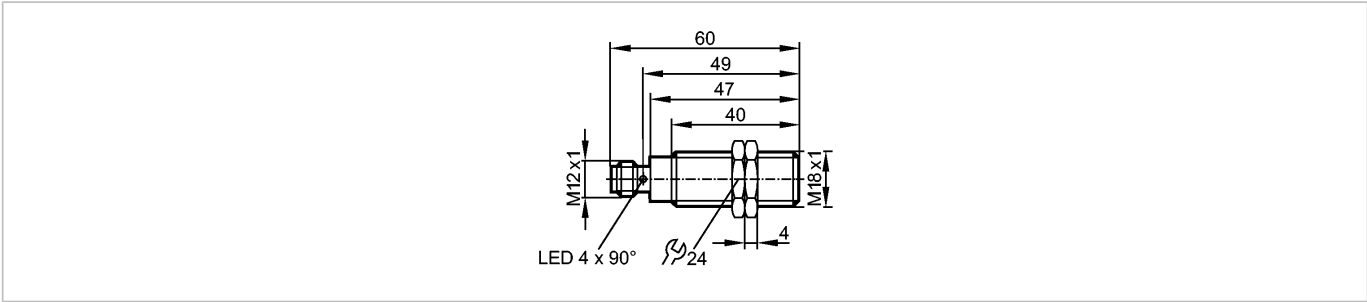


MGT201

MGK3100-BPKG/M/V4A/US-104-DPS

Magnetic sensors, cylinder sensors



Product characteristics		
Magnetic sensor		
Metal thread M18 x 1		
Quick disconnect		
Signal time extension: 1s		
Sensing range 100 mm; referred to magnet M4.0		
Magnetic sensitivity 0.3 mT		
Electrical data		
Electrical design		DC PNP
Operating voltage [V]		10...30 DC
Current consumption [mA]		< 10
Protection class		III
Reverse polarity protection		yes
Outputs		
Output function		normally open
Voltage drop [V]		< 2.5
Current rating [mA]		200
Short-circuit protection		yes
Overload protection		yes
Monitoring range		
Sensing range [mm]		100, referred to magnet M4.0
Magnetic sensitivity [mT]		0.3
Accuracy / deviations		
Hysteresis [% of Sr]		1...10
Environment		
Ambient temperature [°C]		0...104
Protection		IP 68 / IP 69K
Tests / approvals		
EMC	EN 61000-4-2 ESD:	4 kV CD / 8 kV AD
	EN 61000-4-3 HF radiated:	10 V/m
	EN 61000-4-4 Burst:	2 kV
	EN 61000-4-5 Surge:	0.5 kV (line to line, Ri: 20hm)
	EN 61000-4-6 HF conducted:	10 V
	EN 55011:	class B
MTTF [Years]		769
Mechanical data		
Housing materials	housing: stainless steel (316L); active face: PEEK (polyether ether ketone); lock nuts: stainless steel	



MGT201

MGK3100-BPKG/M/V4A/US-104-DPS

Magnetic sensors, cylinder sensors

Weight [kg] 0.054

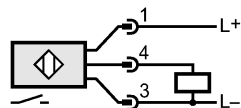
Displays / operating elements

Output status indication LED yellow

Electrical connection

Connection M12 connector; gold-plated contacts

Wiring



Accessories

Accessories (included) 2 lock nuts

Remarks

Remarks voltage supply to EN50178, SELV, PELV

Pack quantity [piece] 1