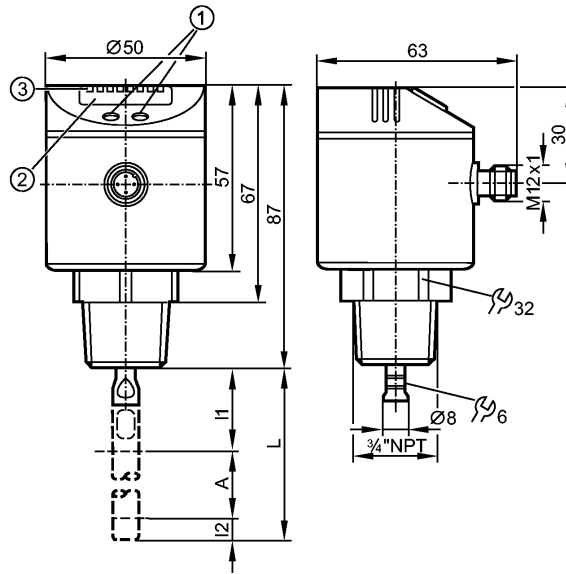


LR3300

LR0000B-BN34AMPKG/US

Level sensors



- 1: 4-digit alphanumeric display
- 2: LEDs (display unit / switching status)
- 3: Programming buttons
- A: Active zone
- I1 / I2: Inactive ranges



Product characteristics

Electronic level sensor
Quick disconnect
Process connection: 3/4" NPT
Communication interface: IO-Link 1.1
Guided wave radar
Freely rotatable housing 360°
Probe length: L = 100...1600 mm
2 Output OUT1 = Switching output OUT2 = Analog output
4-digit alphanumeric display

Application

Application	Hydrous coolants, water, media similar to water
Recommended media	Hydrous coolants, water, media similar to water
Conditionally suitable for:	acids or alkalis, in hygienic areas or in electroplating applications (check the compatibility of the materials with the media to be monitored!)
Cannot be used for:	oils, greases, granulates, bulk materials, acids, alkalis; hygienic and electroplating applications; heavily foaming media
Dielectric constant medium	≥ 20
Medium temperature [°C]	0...80 (90 < 1 h)
Maximum speed of the change of level [mm/s]	100

Electrical data

Electrical design	DC PNP
Operating voltage [V]	18...30 DC
Current consumption [mA]	< 80

LR3300

LR0000B-BN34AMPKG/US

Level sensors

Protection class	III
Reverse polarity protection	yes

Outputs

Output	2 Output OUT1 = Switching output OUT2 = Analog output
Output function	normally open / closed programmable; 4...20 mA or 0...10 V
Current rating [mA]	200
Voltage drop [V]	< 2.5
Short-circuit protection	thermal, pulsed
Overload protection	yes
Analog output	I: 4...20 mA / U: 0...10 V
Max. load [Ω]	I: 500
Min. load [Ω]	U: 2000

Measuring / setting range

Probe length L [mm]	100...1600
Active range A [mm]	L-40
Inactive range I1 / I2 [mm]	30 / 10
Setting range	
Set point, SP [mm]	$\geq 15 / \leq L-30$
Reset point, rP [mm]	$\geq 10 / \leq L-35$
in steps of [mm]	5
Hysteresis [mm]	≥ 5

Accuracy / deviations

Deviations (in mm)	
Switch point accuracy	$\pm (15 + 0.5 \% \text{ MEW}) *$
Repeatability	± 5
Characteristics deviation	± 10
Offset error [mm]	± 10
Resolution [mm]	0.5 (L < 300 mm) 0.2% MEW *) (L > 300 mm)
Zero signal [mA] / [V]	3.95...4.0 / 0...0.02
Full signal [mA] / [V]	20...20.2 / 10.0...10.1

Reaction times

Power-on delay time [s]	≤ 3
-------------------------	----------

Interfaces

IO-Link Device	
Transfer type	COM2 (38.4 kBaud)
IO-Link revision	1.1
SDCI standard	IEC 61131-9 CDV
IO-Link Device ID	345 d / 00 01 59 h
Profiles	no profile
SIO mode	yes
Required master port class	A
Process data analogue	1
Process data binary	1

LR3300

LR0000B-BN34AMPKG/US

Level sensors

Min. process cycle time	[ms]	2.3
-------------------------	------	-----

Environment

Ambient temperature	[°C]	0...60
Storage temperature	[°C]	-25...80
Maximum vessel pressure	[bar]	-1...16
Protection		IP 67

Tests / approvals

EMC		IEC 60947-1
Shock resistance	DIN IEC 68-2-27:	50 g (11 ms)
Vibration resistance	DIN IEC 68-2-6:	5 g (10...2000 Hz)
MTTF	[Years]	174.71

Mechanical data

Process connection		3/4" NPT
Materials (wetted parts)		303 / 1.4305 (V2A); probe connection: 1.4435 (V4A / 316L); PTFE; FKM
Housing materials		304 / 1.4301 (V2A); FKM; PBT; PC; PEI; TPE - V; PTFE
Weight	[kg]	0.329

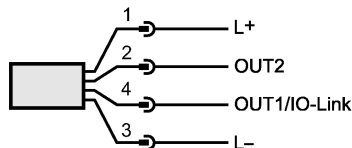
Displays / operating elements

Display	Display unit 3 x LED green Switching status 1 x LED yellow Level 4-digit alphanumeric display Programming 4-digit alphanumeric display
---------	--

Electrical connection

Connection	M12 connector (according to EN 61076-2-101); gold-plated contacts
------------	---

Wiring



Programming of the switching output:
 Hno = hysteresis / NO
 Hnc = hysteresis / NC
 Fno = window / NO
 Fnc = window / NC

Accessories

Accessories (optional)	Probe, part no. E43203...E43205 / E43207...E43210; Matching accessories online next to the Datasheet → Accessories
------------------------	---

Remarks

Remarks	*) MEW = final value of the measuring range in mm; MEW = L - 30 mm
---------	--

Pack quantity	[piece]	1
---------------	---------	---