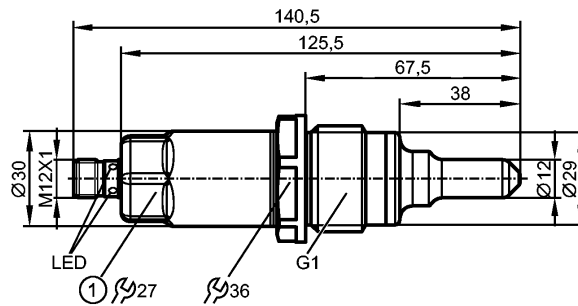


LMT392

LMCCE-A01E-QPKG-2/US

Level sensors



1: tightening torque 35 Nm



Product characteristics

Electronic level sensor
Quick disconnect
Process connection: G 1 A
General building authority approval: Z-65.13-540
Suited for installation in existing tuning fork adapters
gold-plated contacts
Probe length: 38 mm
Communication interface: IO-Link 1.1
2 switching outputs (2nd switching output for overflow protection to the German Federal Water Act WHG)

Application

Application	liquids
Recommended media	water, water-based media, oils, oil-based media
Cannot be used for:	See the operating instructions, chapter "Function and features".
Medium temperature oil	
- Continuous [°C]	-25...100 / (0...100)*
- Short time [°C]	-25...150 (1 h) / (0...100)*
Medium temperature water and hydrous media	
- Continuous [°C]	-25...85 / (0...85)*
- Short time [°C]	-25...150 (1h) / (0...100)*

Electrical data

Electrical design	DC PNP
Operating voltage [V]	18...30 DC
Current consumption [mA]	< 50
Protection class	III
Reverse polarity protection	yes

Outputs

Output	2 switching outputs (2nd switching output for overflow protection to the German Federal Water Act WHG)
Output function	1 x NO / 1 x NC (WHG)
Current rating [mA]	100
Voltage drop [V]	< 2.5
Short-circuit protection	yes (non-latching)
Overload protection	yes

Measuring / setting range

LMT392

LMCCE-A01E-QPKG-2/US

Level sensors

Factory setting	water-based media
-----------------	-------------------

Interfaces

IO-Link Device	
Transfer type	COM2 (38.4 kBaud)
IO-Link revision	1.1
SDCI standard	IEC 61131-9
IO-Link Device ID	0x0001C1
Profiles	Smart Sensor: Process Data Variable; Device Identification
SIO mode	yes
Required master port class	A
Process data analogue	1
Process data binary	2
Min. process cycle time [ms]	2.3

Environment

Ambient temperature [°C]	-20...85 / (0...85)*, at max. 100 °C medium temperature
Ambient temperature [°C]	-20...60, at max. 150 °C medium temperature
Storage temperature [°C]	-40...85
Maximum vessel pressure [bar]	-1...40 / (-0.5...10)*
Protection	IP 68 / IP 69K

Tests / approvals

Approval	WHG Allgemeine bauaufsichtliche Zulassung Überfüllsicherung
EMC	DIN EN 61000-6-2 DIN EN 61000-6-4 open tanks DIN EN 61000-6-3 closed tanks
Shock resistance	DIN EN 60068-2-27 50 g (11 ms)
Vibration resistance	DIN EN 60068-2-6 20 g (10...2000 Hz)
MTTF [Years]	222.77
UL approval number	H001

Mechanical data

Process connection	G 1 A
Materials (wetted parts)	PEEK; surface characteristics: Ra < 0.8
Housing materials	316L stainless steel / 1.4404 (V4A / 316L); PEEK; PEI; FKM
Weight [kg]	0.4

Displays / operating elements

Display	Switching status LEDs yellow operating status LEDs green
---------	---

Electrical connection

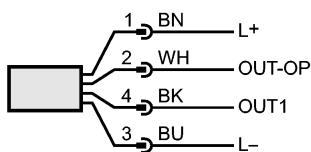
Connection	M12 connector; gold-plated contacts
------------	-------------------------------------

Wiring

LMT392

LMCCE-A01E-QPKG-2/US

Core colors
 BK black
 BN brown
 BU blue
 WH white



OUT1: switching output
 OUT-OP Switching output for overflow protection according to the German Federal Water Act
 Colours to DIN EN 60947-5-2

Remarks

Remarks	*) Applications according to the German Federal Water Act (WHG)
Pack quantity [piece]	1