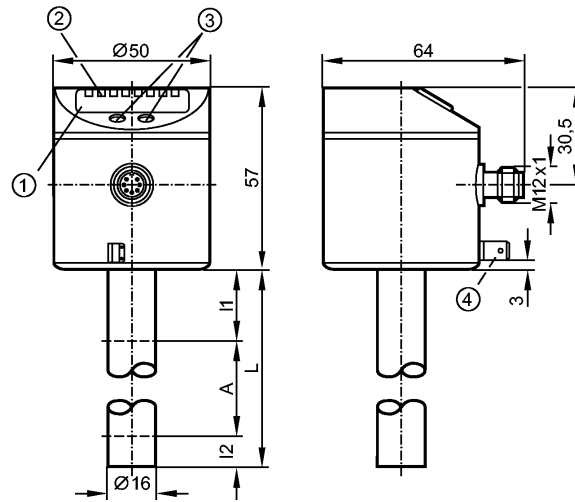


**LK8124**

LK0728B-B-00KVPKG/US

Level sensors

**Please note the wiring of the sensor and the sockets (see data sheet) as for 8-pole sockets the core colours are not standardised.**



- 1: 4-digit alphanumeric display
- 2: status LEDs
- 3: Programming buttons
- 4: Housing connection (flat-pin connector 6.3 mm following DIN 46244)



**Product characteristics**

Electronic level sensor	
Quick disconnect	
Probe length: L = 728 mm	
3 operating outputs (OUT1...OUT3) 1 overflow output (OUT-OP) Indication of the level as a 8-4-2-1 binary code	
4-digit alphanumeric display	

**Application**

Application	Hydrous coolants, oils, water, media similar to water
Cannot be used for:	extremely conductive and adhering media, granulates and bulk materials, acids and alkalis, food and electroplating applications
Dielectric constant medium	> 2
<b>Medium temperature oil</b>	
- Continuous [°C]	0...70
- Short time [°C]	0...90
Medium temperature water and hydrous media [°C]	0...35 (LK8124 + E43102: 0...55) **
Medium temperature coolant emulsions [°C]	0...35 (LK8124 + E43102: 0...55) **
Maximum speed of the change of level [mm/s]	300

**Electrical data**

Electrical design	DC PNP
Operating voltage [V]	18...30 DC
Current consumption [mA]	< 60
Protection class	III
Reverse polarity protection	yes

**LK8124**

LK0728B-B-00KVPKG/US

Level sensors

Outputs	
Output	3 operating outputs (OUT1...OUT3) 1 overflow output (OUT-OP) Indication of the level as a 8-4-2-1 binary code
Output function	3 x normally open / closed programmable (OUT1...OUT3); 1 x normally open / closed programmable (OUT-OP)
Current rating [mA]	200
Voltage drop [V]	< 2.5
Short-circuit protection	thermal, pulsed
Overload protection	yes
Measuring / setting range	
Probe length L [mm]	728
Active range A [mm]	585
Inactive range I1 / I2 [mm]	102 / 40
Setting range	
Set point, SP [mm]	60...580
Reset point, rP [mm]	50...570
in steps of [mm]	10
Hysteresis [mm]	10
Overflow switch point OP [mm]	200 - 240 - 280 - 310 - 350 - 390 - 420 - 460 - 500 - 530 - 570 - 610
Hysteresis OP [mm]	4
Accuracy / deviations	
Deviations (% of value of measuring range)	
Switch point accuracy	± 5
Repeatability	± 2
Reaction times	
Power-on delay time [s]	3
Software / programming	
Programming options	hysteresis / window function; N.O. / N.C; position of SP/rP; position of OP; OP adjustment; medium adjustment; offset; display unit; switching mode / binary mode
Environment	
Ambient temperature [°C]	0...60
Storage temperature [°C]	-25...80
Maximum vessel pressure [bar]	0.5 (mounted with mounting accessories E43001 - E43007)
Protection	IP 67
Tests / approvals	
EMC	EN 61000-4-2 ESD: 4 kV CD / 8 kV AD EN 61000-4-3 HF radiated: 10 V/m EN 61000-4-4 Burst: 2 kV EN 61000-4-6 HF conducted: 10 V
Shock resistance	DIN EN 60068-2-29: 15 g (11 ms)
Vibration resistance	DIN EN 60068-2-6 5 g (10...2000 Hz)
MTTF [Years]	227
Mechanical data	
Materials (wetted parts)	PP
Housing materials	stainless steel (304S15); FKM; NBR; PBT; PC; PEI; PP; TPE / V
Weight [kg]	0.503

**LK8124**

LK0728B-B-00KVPKG/US

Level sensors

**Displays / operating elements**

Display	Display unit     2 x LED green Switching status 4 x LED yellow Measured values 4-digit alphanumeric display Programming     4-digit alphanumeric display
---------	---

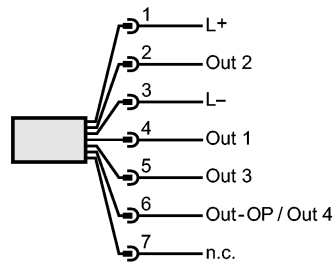
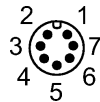
**Electrical connection**

Connection	M12 connector (according to EN 61076-2-101); gold-plated contacts
------------	---

**Wiring**

Output configuration in switching mode:  
 OUT1...OUT3 = operating outputs  
 OUT-OP = overflow output

Output configuration in binary mode:  
 OUT1...OUT4 = 8-4-2-1 binary code for level



**Remarks**

Remarks	cULus - Class 2 source required n.c. = not connected **) for water and hydrous media with temperatures > 35 °C install the unit into a climatic tube (order no. E43102)
---------	---

Pack quantity	[piece]	1
---------------	---------	---

**Please note the wiring of the sensor and the sockets (see data sheet) as for 8-pole sockets the core colours are not standardised.**