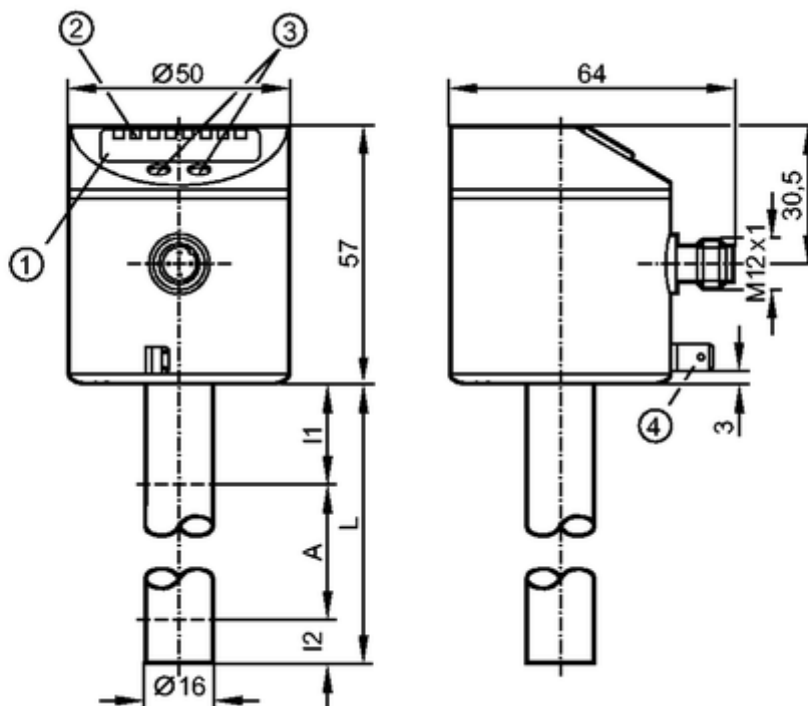


LK1022

LK0264B-B-00KQPKG/US

Level sensors



- 1: 4-digit alphanumeric display
 2: status LEDs
 3: Programming buttons
 4: Housing connection (flat-pin connector 6.3 mm following DIN 46244)



Product characteristics

Electronic level sensor

Quick disconnect

Probe length: L = 264 mm

2 switching outputs

4-digit alphanumeric display

Application

Application	Hydrous coolants, oils, water, media similar to water
Cannot be used for:	extremely conductive and adhering media, granulates and bulk materials, acids and alkalis, food and electroplating applications
Dielectric constant medium	> 2
Medium temperature oil	
- Continuous [°C]	0...70
- Short time [°C]	0...90
Medium temperature water and hydrous media [°C]	0...35 (LK1022 + E43100: 0...65) **)
Medium temperature coolant emulsions [°C]	0...35 (LK1022 + E43100: 0...65) **)
Maximum speed of the change of level [mm/s]	100

Electrical data

Electrical design	DC PNP
Operating voltage [V]	18...30 DC
Current consumption [mA]	< 60
Protection class	III
Reverse polarity protection	yes

Outputs

Output	2 switching outputs
Output function	2 x normally open / closed programmable
Current rating [mA]	200
Voltage drop [V]	< 2.5
Short-circuit protection	thermal, pulsed
Overload protection	yes

Measuring / setting range

Probe length L [mm]	264
Active range A [mm]	195
Inactive range I1 / I2 [mm]	53 / 15

Setting range

Set point, SP [mm]	25...200
Reset point, rP [mm]	20...195
in steps of [mm]	5
Hysteresis [mm]	5
Overflow prevention OP [mm]	69 - 82 - 94 - 106 - 118 - 130 - 143 - 155 - 167 - 179 - 191 - 204
Hysteresis OP [mm]	2

Accuracy / deviations**Deviations (% of value of measuring range)**

Switch point accuracy	± 5
Repeatability	± 2

Reaction times

Power-on delay time [s]	3
-------------------------	---

Software / programming

Programming options	hysteresis / window function; N.O. / N.C; position of SP/rP; position of OP; OP adjustment; medium adjustment; offset; display unit
---------------------	-------------------------------------------------------------------------------------------------------------------------------------

Environment

Ambient temperature [°C]	0...60
Storage temperature [°C]	-25...80
Maximum vessel pressure [bar]	0.5 (mounted with mounting accessories E43001 - E43007)
Protection	IP 67

Tests / approvals

EMC	EN 61000-4-2 ESD:	4 kV CD / 8 kV AD
	EN 61000-4-3 HF radiated:	10 V/m
	EN 61000-4-4 Burst:	2 kV
	EN 61000-4-6 HF conducted:	10 V
Shock resistance	DIN EN 60068-2-29:	15 g (11 ms)
Vibration resistance	DIN EN 60068-2-6	5 g (10...2000 Hz)
MTTF [Years]		265

Mechanical data

Materials (wetted parts)	PP
Housing materials	stainless steel (304S15); FKM; NBR; PBT; PC; PEI; PP; TPE / V

Weight [kg]	0.321
-------------	-------

Displays / operating elements

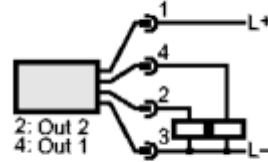
Display	Display unit / status	2 x LED green
	Switching status	2 x LED yellow
	Measured values	4-digit alphanumeric display
	Programming	4-digit alphanumeric display

Electrical connection

Connection	M12 connector (according to EN 61076-2-101); gold-plated contacts
------------	-------------------------------------------------------------------

Wiring

Programming of the output function:
 Hno = hysteresis / normally open
 Hnc = hysteresis / normally closed
 Fno = window function / normally open
 Fnc = window function / normally closed



Remarks

Remarks	cULus - Class 2 source required **) for water and hydrous media with temperatures > 35 °C install the unit into a climatic tube (order no. E43100)
---------	----------------------------------------------------------------------------------------------------------------------------------------------------------

Pack quantity [piece]	1
-----------------------	---

ifm efector, inc. • 1100 Atwater Drive • Malvern • PA 19355 — We reserve the right to make technical alterations without prior notice. — US — LK1022 — 26.04.2016