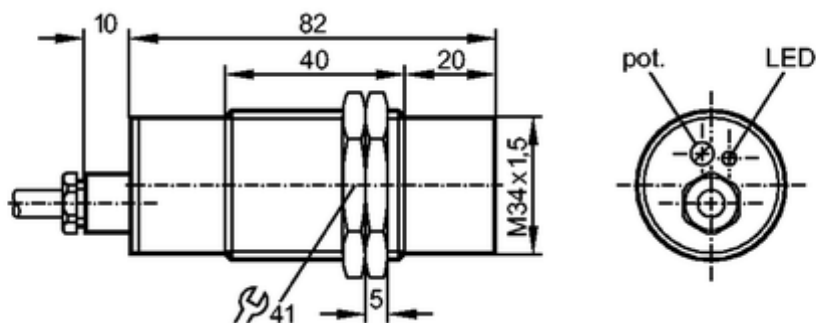




KX5002

KX-2015-N/NI/6M/1D/1G

Capacitive sensors



Product characteristics

Capacitive sensor

Metal thread M34 x 1.5

Cable

ATEX approval

Group II, category 1D/1G

Sensing range 15 mm; adjustable; [nf] non-flush mountable

Electrical data

Electrical design	Connection to certified intrinsically safe circuits with the max. values $U = 15 \text{ V} / I = 50 \text{ mA} / P = 120 \text{ mW}$
Nominal voltage [V]	8.2 DC; (1k Ω)
Supply voltage [V]	7.5...15 DC
Current consumption [mA]	< 1.0 disabled; (> 2.2 mA enabled)
Protection class	I

Outputs

Output function	Normally closed
Switching frequency [Hz]	40

Range

Sensing range [mm]	15, adjustable
--------------------	----------------



Accuracy / deviations

Correction factors	water = 1 / glass approx. 0.4 / ceramics approx. 0.2 / PVC approx. 0.2
Hysteresis [% of Sr]	1...15
Switch-point drift [% of Sr]	-15...15

Environment

Ambient temperature [°C]	-20...60
Protection	IP 65

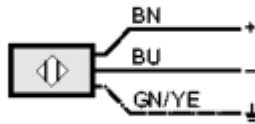
Tests / approvals

Approval	DMT 01 ATEX E 020
Marking of the unit	 II 1G Ex ia IIB T6 Ga  II 1D Ex ia IIIC T90 °C Da
EMC	IEC 60947-5-2: 2007

MTTF [Years]	838
Safety classification	
Internal capacitance [nF]	375.64
Internal inductance [μ H]	3
Mechanical data	
Mounting	non-flush mountable
Housing materials	Brass white bronze coated; active face: PTFE
Weight [kg]	0.629
Displays / operating elements	
Output status indication LED	yellow
Electrical connection	
Connection	PVC cable / 6 m; 3 x 0.5 mm ²

Wiring

Core colours
 BN brown
 BU blue
 GN/YE green/yellow



Remarks	
Pack quantity [piece]	1

ifm electronic gmbh • Friedrichstraße 1 • 45128 Essen — GB — KX5002 — 13.08.2012