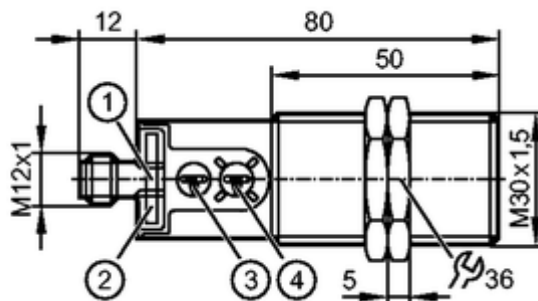




KI6000

KI-3250NFPKG/PL/2P/US/IO

Capacitive sensors



- 1: LED yellow (output status indication)
- 2: LED green (output status indication)
- 3: Potentiometer (sensing range)
- 4: Potentiometer (switching function)



Product characteristics

Capacitive sensor

Plastic thread M30 x 1.5

Connector

Sensing range 25 mm; adjustable 0.5...40 mm; [nf] non-flush mountable

Electrical data

Electrical design	DC PNP
Operating voltage [V]	10...30 DC
Current consumption [mA]	< 22
Protection class	III
Reverse polarity protection	yes

Outputs

Output function	normally open / closed programmable
Voltage drop [V]	< 2.5
Current rating [mA]	200
Short-circuit protection	yes
Overload protection	yes
Switching frequency [Hz]	40

Range

Sensing range [mm]	25, adjustable 0.5...40 mm
Real sensing range (Sr) [mm]	25 ± 10 %

Accuracy / deviations

Hysteresis [% of Sr]	1...15
Switch-point drift [% of Sr]	-10...10

Interfaces

IO-Link device

Transfer type	COM2 (38.4 kBaud)
IO-Link revision	1.1
SDCI standard	IEC 61131-9

Profiles	Smart Sensor: Process Data Variable; Device Identification
SIO mode	yes
Required master port class	A
Min. process cycle time [ms]	20

Environment

Ambient temperature [°C]	-25...80
Medium temperature [°C]	-25...110
Protection	IP 65 / IP 67 / IP 69K

Tests / approvals

EMC	EN 61000-4-2	30 kV AD / 4 kV CD
	EN 61000-4-3	10 V/m
	EN 61000-4-4	2 kV
	EN 61000-4-6	10 V
	EN 55011:	class B
Vibration resistance	DIN EN 60947-5-2	1 mm amplitude, oscillation period 5 min., 30 min. per axis at resonance or 55 Hz
Shock resistance	DIN EN 60947-5-2	30 g 6 shocks / 11 ms half-sine (x,y,z)
MTTF [Years]		767.68
UL approval number		D001

Mechanical data

Mounting	non-flush mountable
Housing materials	PBT; PC; POM
Weight [kg]	0.055

Displays / operating elements

Output status indication LED	yellow
Operation LED	green
Setting aid LED	green

Electrical connection

Connection	M12 connector
------------	---------------

Wiring

4: OUT / IO-Link

Accessories

Accessories (included)	2 lock nuts
------------------------	-------------

Remarks

Pack quantity [piece]	1
-----------------------	---

ifm electronic gmbh • Friedrichstraße 1 • 45128 Essen — We reserve the right to make technical alterations without prior notice. — GB — KI6000 — 11.11.2016