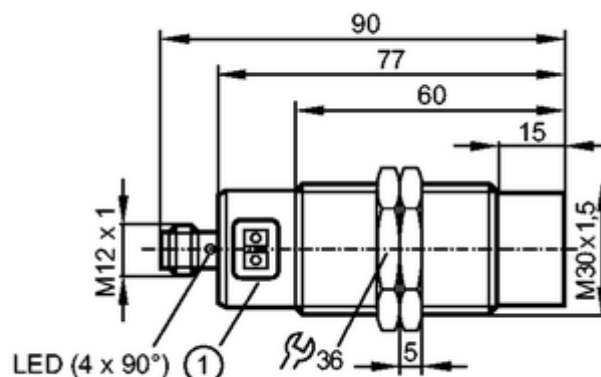


**KI5086**

KIA3150NFAKG/2T/US

Capacitive sensors



1: Programming buttons

**Product characteristics**

Capacitive sensor

Metal thread M30 x 1.5

Connector

Teach function

Electronic lock

Automatic load detection PNP/NPN

Sensing range 15 mm; [nf] non-flush mountable

**Electrical data**

Electrical design	DC PNP/NPN
Operating voltage [V]	10...30 DC; 10...36 DC (60 °C)
Current consumption [mA]	18
Protection class	III
Reverse polarity protection	yes

**Outputs**

Output function	normally open / closed programmable
Voltage drop [V]	< 2.5
Current rating [mA]	100
Short-circuit protection	pulsed
Overload protection	yes
Switching frequency [Hz]	10

**Range**

Sensing range [mm]	15
--------------------	----

**Accuracy / deviations**

Hysteresis [% of Sr]	1...15
Switch-point drift [% of Sr]	-20...20

**Interfaces****IO-Link device**

Transfer type	COM1 (4.8kBaud)
IO-Link revision	1.1
SDCI standard	IEC 61131-9 CDV
IO-Link device ID	388d / 000184h
Profiles	Smart Sensor
SIO mode	yes
Min. process cycle time [ms]	101

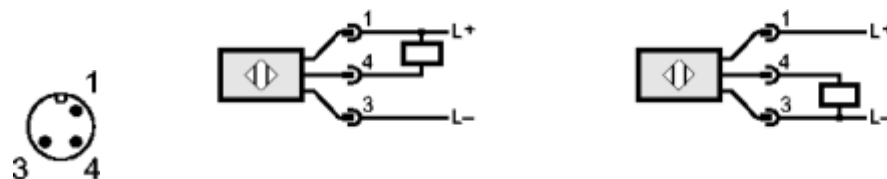
<b>Environment</b>	
Ambient temperature [°C]	-25...80
Protection	IP 65 / IP 67

<b>Tests / approvals</b>		
EMC	EN 61000-4-2 ESD:	8 kV AD
	EN 61000-4-3 HF radiated:	10 V/m
	EN 61000-4-4 Burst:	2 kV
	EN 61000-4-6 HF conducted:	3 V
	EN 55011:	class B
Vibration resistance	EN 60068-2-6 Fc	(10...55 Hz) / 1 mm amplitude, oscillation period 5 min., 30 min. per axis at resonance or 55 Hz
Shock resistance	EN 60068-2-27 Ea	30 g 6 shocks / 11 ms half-sine (x,y,z)
MTTF [Years]	622	

<b>Mechanical data</b>	
Mounting	non-flush mountable
Housing materials	housing: stainless steel 316L / 1.4404; buttons: TPE-U; cover: PBT; connector: PEI
Weight [kg]	0.153

<b>Displays / operating elements</b>	
Output status indication LED	yellow

<b>Electrical connection</b>	
Connection	M12 connector

**Wiring**

4: OUT / IO-Link  
Automatic load detection PNP/NPN  
when using a resistive load < 20 kΩ

<b>Accessories</b>	
Accessories (included)	2 lock nuts
<b>Remarks</b>	
Pack quantity [piece]	1

ifm electronic gmbh • Friedrichstraße 1 • 45128 Essen — We reserve the right to make technical alterations without prior notice. — GB — KI5086 — 25.10.2013