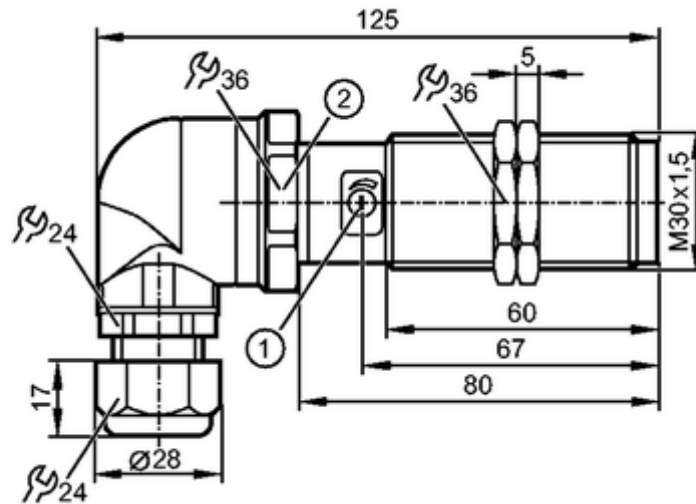


KI505A

KIE4150NCPKG/3D

Capacitive sensors



- 1: potentiometer
2: tightening torque 10 Nm

**Product characteristics**

Capacitive sensor

Plastic thread M30 x 1.5

Terminals

ATEX approval

Group II, category 3D

Sensing range 15 mm; adjustable; [nf] non-flush mountable

Electrical data

Electrical design	DC PNP
Operating voltage [V]	10...30 DC
Current consumption [mA]	< 20
Protection class	III
Reverse polarity protection	yes

Outputs


Output function	complementary
Voltage drop [V]	< 2.5
Leakage current [mA]	0.1
Current rating [mA]	200
Short-circuit protection	yes (non-latching)
Overload protection	yes
Switching frequency [Hz]	10

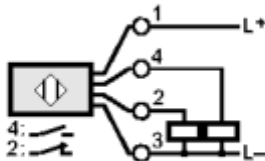
Monitoring range

Sensing range [mm]	15, adjustable
Real sensing range (Sr) [mm]	15 ± 10 %

Accuracy / deviations

Hysteresis [% of Sr]	1...15
----------------------	--------

Switch-point drift [% of Sr]	-20...20	
Environment		
Ambient temperature [°C]	-20...60	
Protection	IP 65 / IP 67	
Tests / approvals		
Marking of the unit	 II 3D Ex tc IIIC T90°C Dc X	
EMC	EN 61000-4-2 ESD:	kV / 8 kV AD
	EN 61000-4-3 HF radiated:	3 V/m
	EN 61000-4-4 Burst:	2 kV
	EN 61000-4-6 HF conducted:	3 V
	EN 55011:	class B
IEC 60255-5	1 kV (line to line, Ri: 500 Ohm)	
MTTF [Years]	463	
Mechanical data		
Mounting	non-flush mountable	
Housing materials	PBT; PA	
Weight [kg]	0.156	
Displays / operating elements		
Output status indication LED	yellow	
Electrical connection		
Connection	Terminals 0.34 to 1.5 mm ² ; cable diameter 5...9 mm, cable gland M20 x 1.5	

Wiring

Accessories	
Accessories (included)	2 lock nuts
Remarks	
Pack quantity [piece]	1

ifm efector, inc. • 1100 Atwater Drive • Malvern • PA 19355 — We reserve the right to make technical alterations without prior notice. — US — KI505A — 10.01.2013