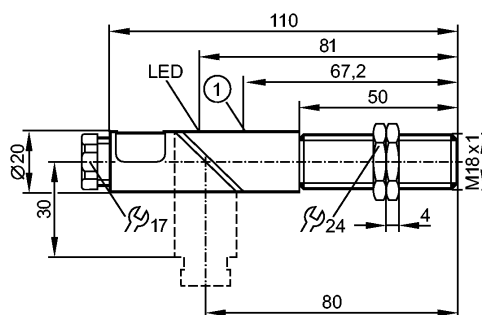


KG5041

KGE3008-BPKG/NI

Capacitive sensors



1: potentiometer


Product characteristics

Capacitive sensor

Plastic thread M18 x 1

Terminals

Sensing range 8 mm; adjustable; [nf] non-flush mountable

Electrical data

Electrical design	DC PNP
Operating voltage [V]	10...36 DC
Current consumption [mA]	< 10 (24 V) / < 15 (36 V)
Protection class	II
Reverse polarity protection	yes

Outputs

Output function	normally open
Voltage drop [V]	< 2.5
Current rating [mA]	250
Short-circuit protection	yes (non-latching)
Overload protection	yes
Switching frequency [Hz]	50

Monitoring range

Sensing range [mm]	8, adjustable
Real sensing range (Sr) [mm]	8 ± 10 %
Operating distance [mm]	0...6.5

Accuracy / deviations

Correction factors	water = 1 / glass approx. 0.4 / ceramics approx. 0.2 / PVC approx. 0.2
Hysteresis [% of Sr]	1...15
Switch-point drift [% of Sr]	-15...15

Environment

Ambient temperature [°C]	-25...80
Protection	IP 65

Tests / approvals

EMC	IEC 60947-5-2:	2007
MTTF [Years]		637

Mechanical data

Mounting	non-flush mountable
----------	---------------------

KG5041

KGE3008-BPKG/NI

Capacitive sensors

Housing materials	PBT; PC
Weight [kg]	0.081

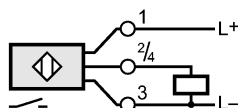
Displays / operating elements

Output status indication	LED	yellow
--------------------------	-----	--------

Electrical connection

Connection	terminals up to 2.5 mm ² ; cable diameter 4.5...10 mm, cable gland M16 x 1.5
------------	---

Wiring



Accessories

Accessories (included)	2 lock nuts; screwdriver
------------------------	--------------------------

Remarks

Pack quantity [piece]	1
-----------------------	---