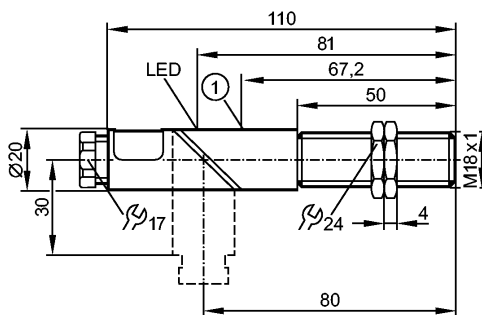


KG5040

KGE2008-FRKG/NI

Capacitive sensors



1: potentiometer



Product characteristics

Capacitive sensor
Plastic thread M18 x 1
Terminals
Sensing range 8 mm; adjustable 2.5...8 mm; [nf] non-flush mountable

Electrical data

Electrical design	DC PNP/NPN
Operating voltage [V]	10...55 DC
Protection class	II

Outputs

Output function	normally open / closed programmable
Voltage drop [V]	< 4.6
Minimum load current [mA]	4
Leakage current [mA]	< 1
Current rating [mA]	200; 400 (...50 °C)
Short-circuit protection	yes (non-latching)
Overload protection	yes
Switching frequency [Hz]	50

Monitoring range

Sensing range [mm]	8, adjustable 2.5...8 mm
Real sensing range (Sr) [mm]	8 ± 10 %
Operating distance [mm]	0...6.5

Accuracy / deviations

Correction factors	water = 1 / glass approx. 0.4 / ceramics approx. 0.2 / PVC approx. 0.2
Hysteresis [% of Sr]	1...15
Switch-point drift [% of Sr]	-15...15

Environment

Ambient temperature [°C]	-25...80
Protection	IP 65

Tests / approvals

EMC	IEC 60947-5-2: 2007
MTTF [Years]	497

Mechanical data

Mounting	non-flush mountable
----------	---------------------

KG5040

KGE2008-FRKG/NI

Capacitive sensors

Housing materials	PBT
Weight [kg]	0.079

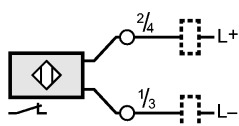
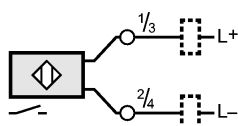
Displays / operating elements

Output status indication	LED	yellow
--------------------------	-----	--------

Electrical connection

Connection	terminals up to 2.5 mm ² ; cable diameter 4.5...10 mm, cable gland M16 x 1.5
------------	---

Wiring



Accessories

Accessories (included)	2 lock nuts; screwdriver
------------------------	--------------------------

Remarks

Pack quantity [piece]	1
-----------------------	---