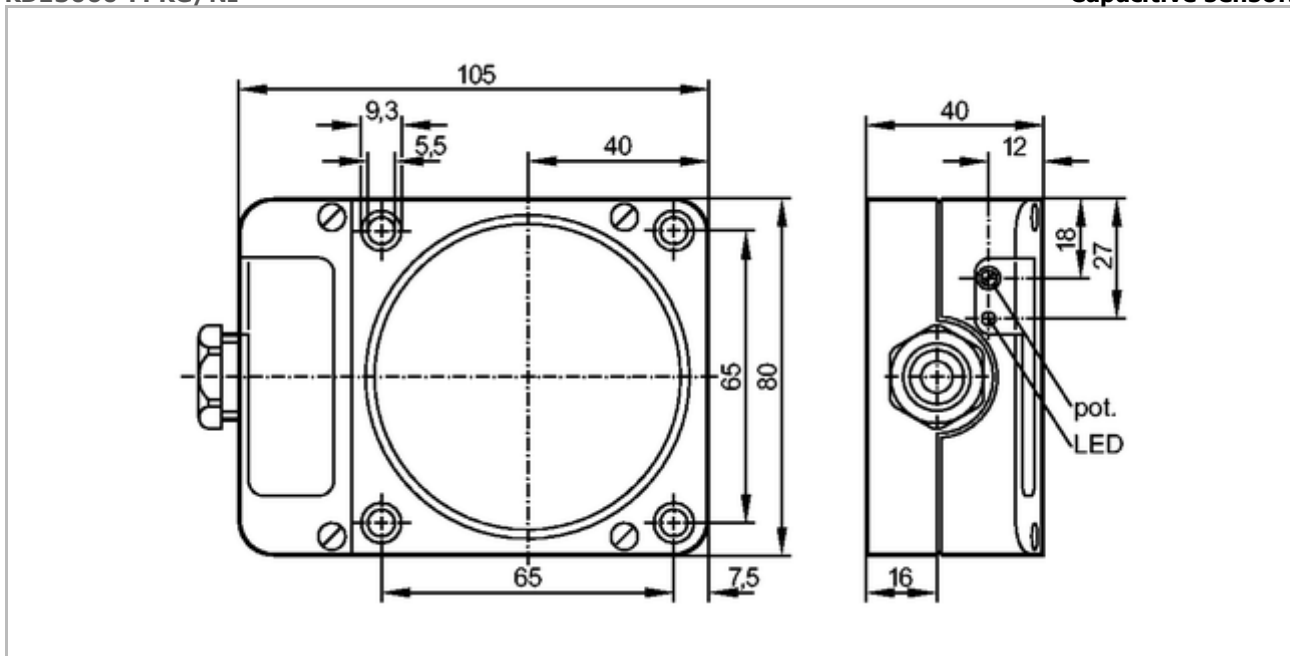


**KD5018**

KDE3060-FPKG/NI

Capacitive sensors

**Product characteristics**

Capacitive sensor

Rectangular, plastics

Terminals

Increased immunity to conducted radio frequency interference

Sensing range 60 mm; [nf] non-flush mountable

**Electrical data**

Electrical design	DC PNP
Operating voltage [V]	10...36 DC
Current consumption [mA]	15 (24 V)
Protection class	II
Reverse polarity protection	yes

**Outputs**

Output function	normally open / closed programmable
Voltage drop [V]	< 2.5
Current rating [mA]	250
Short-circuit protection	yes (non-latching)
Overload protection	yes
Switching frequency [Hz]	10

**Monitoring range**

Sensing range [mm]	60
Real sensing range (Sr) [mm]	60 ± 10 %
Operating distance [mm]	0...48.6

**Accuracy / deviations**

Correction factors	water = 1 / glass approx. 0.4 / ceramics approx. 0.2 / PVC approx. 0.2
--------------------	--

Hysteresis [% of Sr]	1...15
Switch-point drift [% of Sr]	-15...15

### Environment

Ambient temperature [°C]	-25...80
Protection	IP 65

### Tests / approvals

EMC	IEC 60947-5-2:	2007
MTTF [Years]		537

### Mechanical data

Mounting	non-flush mountable
Housing materials	modified PPO
Weight [kg]	0.299

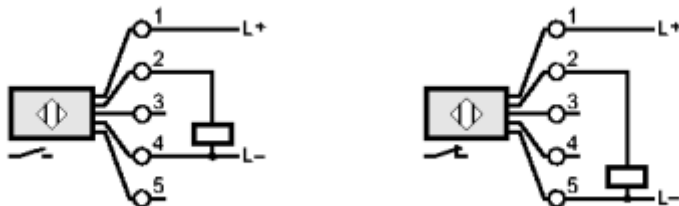
### Displays / operating elements

Output status indication LED	yellow
------------------------------	--------

### Electrical connection

Connection	terminals up to 2.5 mm <sup>2</sup> ; cable diameter 7...13 mm, cable gland M20 x 1.5
------------	---

### Wiring



### Accessories

Accessories (included)	screwdriver
------------------------	-------------

### Remarks

Pack quantity [piece]	1
-----------------------	---

ifm efector, inc. • 1100 Atwater Drive • Malvern • PA 19355 — We reserve the right to make technical alterations without prior notice. — US — KD5018 — 06.03.2003