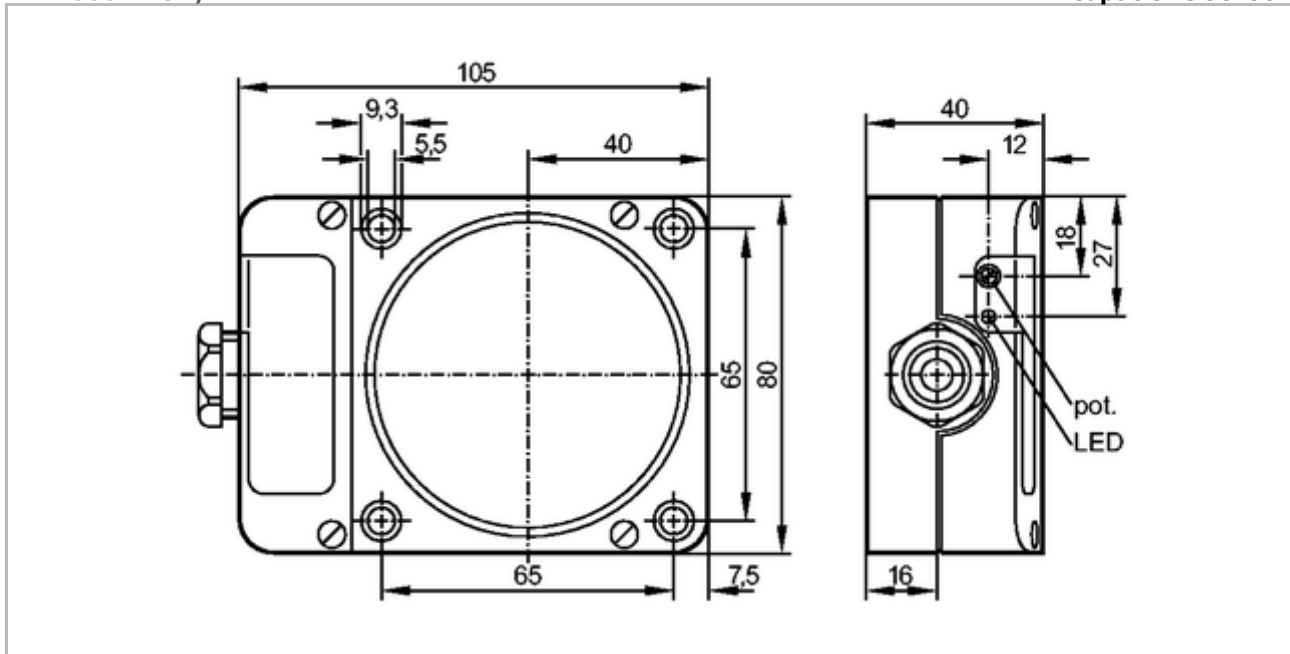


KD0009

KDE2060-FBOA/NI

Capacitive sensors

**Product characteristics**

Capacitive sensor

Rectangular, plastics

Terminals

Increased immunity to conducted radio frequency interference

Sensing range 60 mm; adjustable; [nf] non-flush mountable

Electrical data

Electrical design	AC/DC
Operating voltage [V]	20...250 AC/DC
Protection class	II
Reverse polarity protection	no

Outputs

Output function	normally open / closed programmable
Voltage drop [V]	< 10 AC / < 8 DC
Minimum load current [mA]	5
Leakage current [mA]	< 2.5 (250 V AC) / < 1.7 (110 V AC) / < 1.3 (24 V DC)

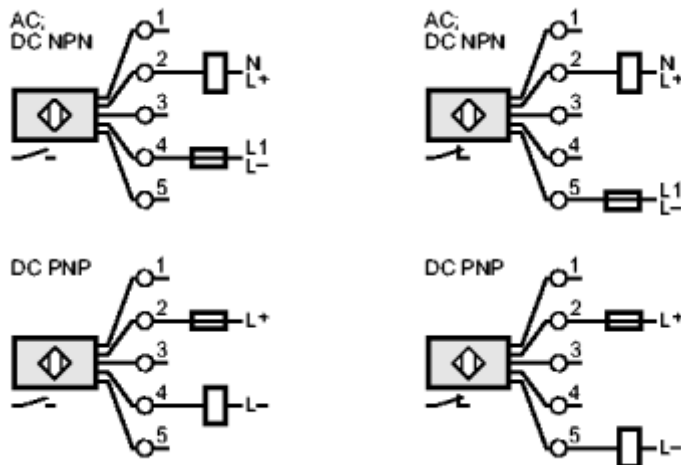
Current rating

- Current rating (continuous) [mA]	200; 250 (...50 °C)
- Current rating (peak) [mA]	î: 1.5 A (20 ms / 0.5 Hz)
Short-circuit proof	no
Overload protection	no
Switching frequency [Hz]	10

Range

Sensing range [mm]	60, adjustable
Real sensing range (Sr) [mm]	60 ± 10 %

Operating distance [mm]	0...48.6	
Accuracy / deviations		
Correction factors	water = 1 / glass approx. 0.4 / ceramics approx. 0.2 / PVC approx. 0.2	
Hysteresis [% of Sr]	1...15	
Switch-point drift [% of Sr]	-15...15	
Environment		
Ambient temperature [°C]	-25...80	
Protection	IP 65	
Tests / approvals		
EMC	IEC 60947-5-2:	2007
MTTF [Years]	270	
Mechanical data		
Mounting	non-flush mountable	
Housing materials	modified PPO	
Weight [kg]	0.301	
Displays / operating elements		
Output status indication LED	yellow	
Electrical connection		
Connection	terminals up to 2.5 mm ² ; cable diameter 7...13 mm, cable gland M20 x 1.5	

Wiring

Note: miniature fuse to IEC60127-2 sheet 1,
 ≤ 2 A (fast acting)

Accessories		
Accessories (included)	screwdriver; 4 spring washers; 4 cylinder screws	
Remarks		
Remarks	Recommendation: check the unit for reliable function after a short circuit.	
Pack quantity [piece]	1	

ifm electronic gmbh • Friedrichstraße 1 • 45128 Essen — We reserve the right to make technical alterations without prior notice. — GB — KD0009 — 05.12.2007