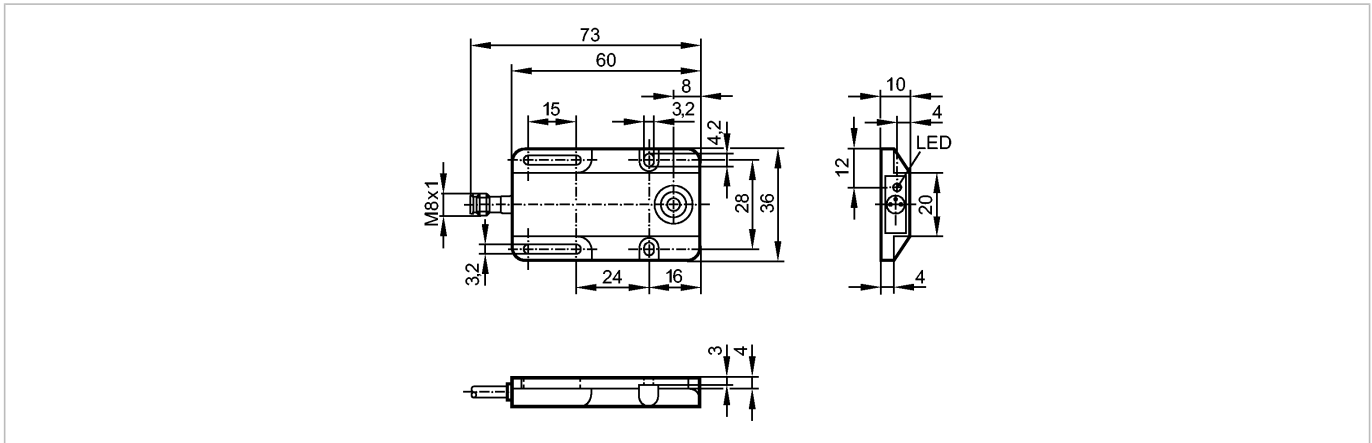


IW5062

IW-3008-APKG/AS-610-TPO

Inductive sensors



Product characteristics

Inductive sensor

Rectangular, plastics

Quick disconnect

Sensing range 8 mm; [nf] non-flush mountable

Electrical data

Electrical design	DC PNP
Operating voltage [V]	10...36 DC
Current consumption [mA]	5 (24 V)
Protection class	III
Reverse polarity protection	yes

Outputs

Output function	normally closed
Voltage drop [V]	< 2.5; for I (load) < 50mA and 0...50°C: < 1.5 V
Current rating [mA]	250
Short-circuit protection	yes (non-latching)
Overload protection	yes
Switching frequency [Hz]	300

Monitoring range

Sensing range [mm]	8
Real sensing range (Sr) [mm]	8 ± 10 %
Operating distance [mm]	0...6.5

Accuracy / deviations

Correction factors	mild steel = 1 / stainless steel approx. 0.7 / brass approx. 0.4 / aluminium approx. 0.3 / copper approx. 0.2
Hysteresis [% of Sr]	3...15
Switch-point drift [% of Sr]	-10...10

Environment

Ambient temperature [°C]	-25...80
Protection	IP 67

Tests / approvals

EMC	EN 60947-5-2
MTTF [Years]	1893

IW5062

IW-3008-APKG/AS-610-TPO

Inductive sensors

Mechanical data

Mounting	non-flush mountable
Housing materials	PBT
Weight [kg]	0.026

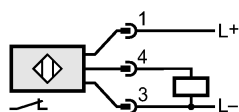
Displays / operating elements

Output status indication	LED	yellow
--------------------------	-----	--------

Electrical connection

Connection	M8 connector
------------	--------------

Wiring



Remarks

Pack quantity	[piece]	1
---------------	---------	---