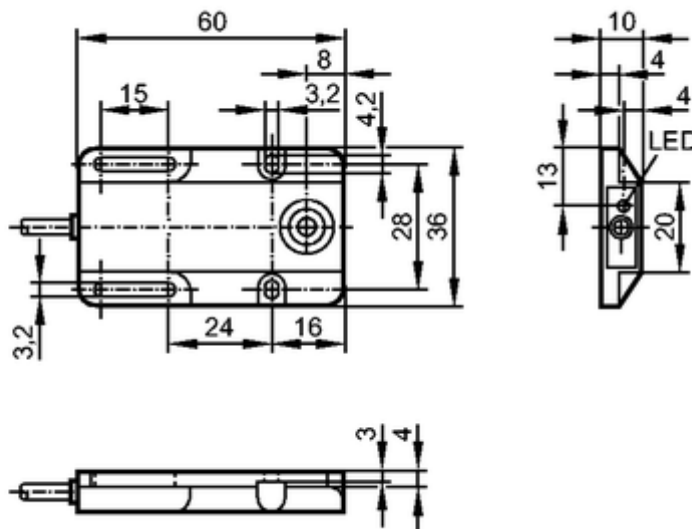


IW5058

IW-3008-BPKG

Inductive sensors

**Product characteristics**

Inductive sensor

Rectangular, plastics

Cable

Sensing range 8 mm; [nf] non-flush mountable

Electrical data

Electrical design	DC PNP
Operating voltage [V]	10...36 DC
Current consumption [mA]	15 (24 V)
Protection class	II
Reverse polarity protection	yes

Outputs

Output function	normally open
Voltage drop [V]	< 2.5
Current rating [mA]	250
Short-circuit protection	yes (non-latching)
Overload protection	yes
Switching frequency [Hz]	300

Monitoring range

Sensing range [mm]	8
Real sensing range (Sr) [mm]	8 ± 10 %
Operating distance [mm]	0...6.5

Accuracy / deviations

Correction factors	mild steel = 1 / stainless steel approx. 0.7 / brass approx. 0.4 / aluminium approx. 0.3 / copper approx. 0.2
Hysteresis [% of Sr]	1...15

Switch-point drift [% of Sr]	-10...10
------------------------------	----------

Environment	
--------------------	--

Ambient temperature [°C]	-25...80
--------------------------	----------

Protection	IP 67
------------	-------

Tests / approvals	
--------------------------	--

EMC	EN 60947-5-2	
	EN 55011:	class B

MTTF [Years]	2526
--------------	------

Mechanical data	
------------------------	--

Mounting	non-flush mountable
----------	---------------------

Housing materials	PBT
-------------------	-----

Weight [kg]	0.06
-------------	------

Displays / operating elements	
--------------------------------------	--

Output status indication LED	yellow
------------------------------	--------

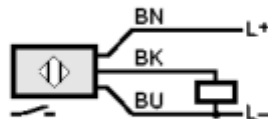
Electrical connection	
------------------------------	--

Connection	PVC cable / 2 m; 3 x 0.14 mm ²
------------	---

Wiring

Core colors

BN	brown
BU	blue
BK	black



Remarks	
----------------	--

Pack quantity [piece]	1
-----------------------	---

ifm efector, inc. • 1100 Atwater Drive • Malvern • PA 19355 — We reserve the right to make technical alterations without prior notice. — US — IW5058 — 06.03.2003