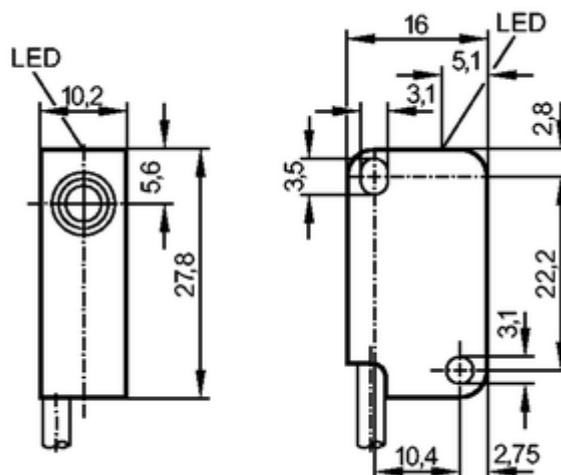




IS5026

IS-2002-FROG/PH

Inductive sensors



Product characteristics

Inductive sensor

Rectangular, plastics

Cable

Sensing range 2 mm; [f] flush mountable

Electrical data

Electrical design	DC PNP/NPN
Operating voltage [V]	5...36 DC; cULus - Class 2 source required
Protection class	III
Reverse polarity protection	no

Outputs

Output function	normally open / closed programmable
Voltage drop [V]	< 4.6
Minimum load current [mA]	4
Leakage current [mA]	< 0.8
Current rating [mA]	200
Short-circuit protection	no
Overload protection	no
Switching frequency [Hz]	2000

Monitoring range

Sensing range [mm]	2
Real sensing range (Sr) [mm]	$2 \pm 10\%$
Operating distance [mm]	0...1.62

Accuracy / deviations

Correction factors	mild steel = 1 / stainless steel approx. 0.7 / brass approx. 0.4 / copper approx. 0.2 / aluminium approx. 0.3
Hysteresis [% of Sr]	1...15

Switch-point drift [% of Sr]	-10...10	
Environment		
Ambient temperature [°C]	-25...80	
Protection	IP 67	
Tests / approvals		
EMC	EN 60947-5-2 EN 55011:	class B
MTTF [Years]	3755	
Mechanical data		
Mounting	flush mountable	
Housing materials	PBT	
Tightening torque [Nm]	< 0.5 (with washer)	
Weight [kg]	0.039	
Displays / operating elements		
Output status indication LED	yellow	
Electrical connection		
Connection	PUR cable / 2 m; 2 x 0.14 mm ²	
Wiring		
Core colors BK black WH white		
Remarks		
Pack quantity [piece]	1	

ifm efector, inc. • 1100 Atwater Drive • Malvern • PA 19355 — We reserve the right to make technical alterations without prior notice. — US — IS5026 — 20.05.2005