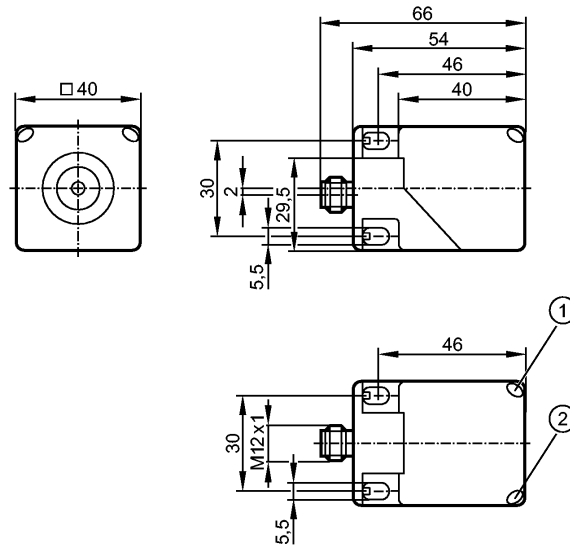


IM5140

IMC3015A2PKG/US

Inductive sensors



- 1: LED yellow
- 2: LED green



Product characteristics

Inductive sensor
Rectangular, plastics
Quick disconnect
Analog output 0...10 V (linear, gradient: 0.714 V/mm) *)
5 positions of the sensing face selectable
Measuring range 1...15 mm; [f] flush mountable

Electrical data

Electrical design	DC analog
Operating voltage [V]	15...30 DC; cULus - Class 2 source required
Current consumption [mA]	< 20
Protection class	II
Reverse polarity protection	yes

Outputs

Output function	0...10 V analog
Min. load [Ω]	2000
Short-circuit protection	yes
Overload protection	yes

Monitoring range

Measuring range [mm]	1...15
----------------------	--------

Accuracy / deviations

Correction factors	mild steel = 1 / stainless steel approx. 0.7 / brass approx. 0.5 / aluminium approx. 0.4 / copper approx. 0.3
Linearity error	± 3 %; of UA max
Repeatability	± 2 %; of UA max
Temperature coefficient	± 10 %; of UA max

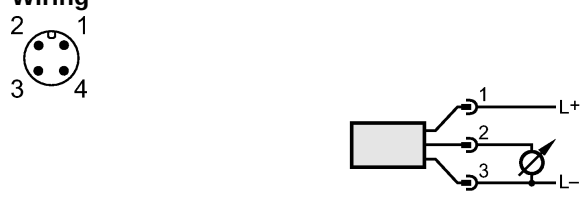
Reaction times

Response time [ms]	< 20
--------------------	------

IM5140

IMC3015A2PKG/US

Inductive sensors

Environment	
Ambient temperature	[°C] -25...80
Protection	IP 67
Tests / approvals	
MTTF	[Years] 1004
Mechanical data	
Mounting	flush mountable
Housing materials	PA (polyamide); brass white bronze coated
Weight	[kg] 0.152
Displays / operating elements	
Display	within the operating range yellow (permanently lit) outside the operating range yellow (flashing) Power LED green
Electrical connection	
Connection	M12 connector
Wiring 	
Remarks	
Remarks	*) for target 45x45x1 mm made of mild steel and frontal approach
Pack quantity	[piece] 1