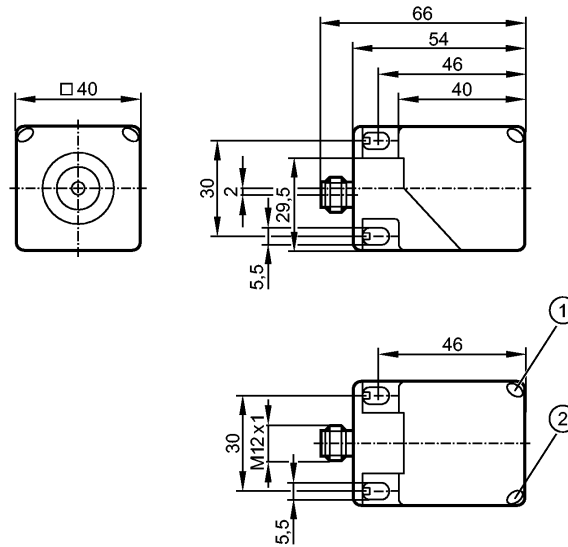


**IM5115**

IMC3020BBPKG/US-100-DPS

Inductive sensors



- 1: LED yellow
- 2: LED green



**Product characteristics**

Inductive sensor
Rectangular, plastics
Quick disconnect
5 positions of the sensing face selectable
gold-plated contacts
Sensing range 20 mm; [f] flush mountable

**Electrical data**

Electrical design	DC PNP
Operating voltage [V]	10...36 DC; cULus - Class 2 source required
Current consumption [mA]	< 20
Protection class	II
Reverse polarity protection	yes

**Outputs**

Output function	normally open
Voltage drop [V]	< 2.5
Current rating [mA]	200
Short-circuit protection	yes (non-latching)
Overload protection	yes
Switching frequency [Hz]	100

**Monitoring range**

Sensing range [mm]	20
Operating distance [mm]	0...16.2

**Accuracy / deviations**

Correction factors	mild steel = 1 / stainless steel approx. 0.7 / brass approx. 0.4 / aluminium approx. 0.4 / copper approx. 0.3
Hysteresis [% of Sr]	1...20

**Environment**

Ambient temperature [°C]	-25...70
--------------------------	----------

## IM5115

IMC3020BBPKG/US-100-DPS

Inductive sensors

Protection	IP 67
------------	-------

### Tests / approvals

EMC	EN 61000-4-2 ESD:	8 kV CD / 4 kV AD
	EN 61000-4-3 HF radiated:	10 V/m
	EN 61000-4-4 Burst:	2 kV
	EN 61000-4-6 HF conducted:	10 V
	EN 55011:	class B

MTTF	[Years]	1590
------	---------	------

### Mechanical data

Mounting	flush mountable
----------	-----------------

Housing materials	PA (polyamide)
-------------------	----------------

Weight	[kg]	0.144
--------	------	-------

### Displays / operating elements

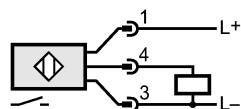
Output status indication	LED	yellow
--------------------------	-----	--------

Power	LED	green
-------	-----	-------

### Electrical connection

Connection	M12 connector; rotatable, locking, gold-plated contacts
------------	---

#### Wiring



### Remarks

Pack quantity	[piece]	1
---------------	---------	---