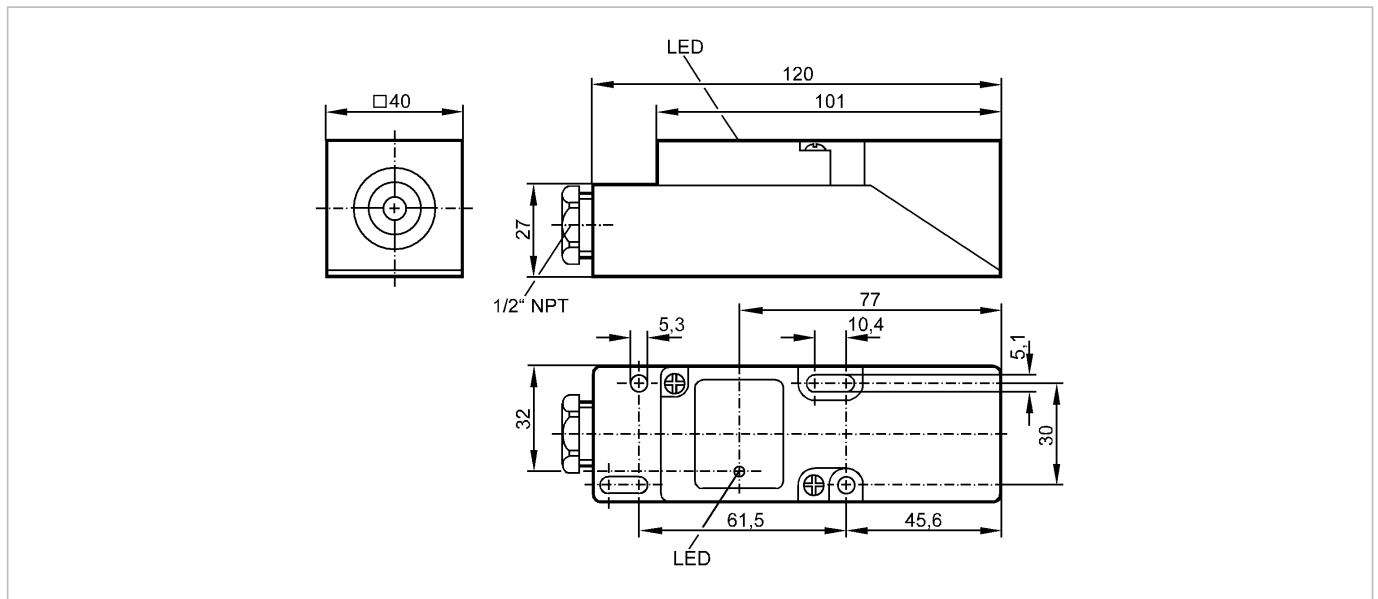


**IM0013**

IME2020-FBOA/NPT/RT

Inductive sensors



**Product characteristics**

Inductive sensor
Rectangular, plastics
Terminals
Sensing range 20 mm; [nf] non-flush mountable

**Electrical data**

Electrical design	AC/DC
Operating voltage [V]	20...250 AC/DC
Protection class	II
Reverse polarity protection	no

**Outputs**

Output function	normally open / closed programmable
Voltage drop [V]	< 6.5 AC / < 6 DC
Minimum load current [mA]	5
Leakage current [mA]	< 2.5 (250 V AC) / < 1.3 (110 V AC) / < 0.8 (24 V DC)
<b>Current rating</b>	
- Current rating (continuous) [mA]	250 AC / 100 DC; 350 AC (...50 °C)
- Current rating (peak) [mA]	î: 2.2 A (20 ms / 0.5 Hz)
Short-circuit proof	no
Overload protection	no
Switching frequency [Hz]	20 AC / 55 DC

**Monitoring range**

Sensing range [mm]	20
Real sensing range (Sr) [mm]	20 ± 10 %
Operating distance [mm]	0...16.2

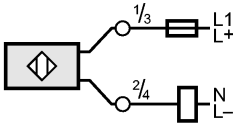
**Accuracy / deviations**

Correction factors	mild steel = 1 / stainless steel approx. 0.7 / brass approx. 0.4 / aluminium approx. 0.3 / copper approx. 0.2
Hysteresis [% of Sr]	1...15
Switch-point drift [% of Sr]	-10...10

**IM0013**

IME2020-FBOA/NPT/RT

**Inductive sensors**

Environment	
Ambient temperature [°C]	-25...80
Protection	IP 65
Tests / approvals	
EMC	EN 60947-5-2 EN 55011: class B
MTTF [Years]	604
Mechanical data	
Mounting	non-flush mountable
Housing materials	PPE
Weight [kg]	0.193
Displays / operating elements	
Output status indication LED	red
Electrical connection	
Connection	terminals up to 2.5 mm <sup>2</sup> ; cable diameter 7...13 mm
Wiring	
	
<p>Note: miniature fuse to IEC60127-2 sheet 1, ≤ 2 A (fast acting)</p>	
Remarks	
Remarks	<p>Recommendation: check the unit for reliable function after a short circuit. 5 positions of the active zone possible</p>
Pack quantity [piece]	1