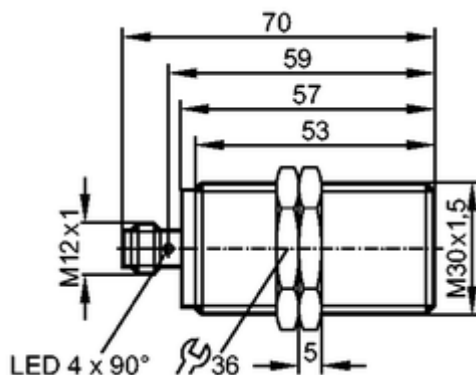


**IIT204**

IIKC014BASKG/M/V4A/US-104-DRS

Inductive sensors

**Product characteristics**

Inductive sensor  
 Metal thread M30 x 1.5  
 Connector  
 Operation as 3-wire or 2-wire possible  
 Increased sensing range  
 Optical setting aid (2 LED)  
 Gold-plated contacts  
 Sensing range 14 mm; [f] flush mountable

**Electrical data**

Electrical design	3-wire DC PNP; 2-wire DC PNP/NPN
Operating voltage [V]	10...36 DC
Current consumption [mA]	10 (24 V)
Protection class	II
Reverse polarity protection	yes

**Outputs**

Output function	normally open
Voltage drop [V]	< 2.5
Minimum load current [mA]	2; only in 2-wire operation
Leakage current [mA]	< 0.5; only in 2-wire operation
Current rating [mA]	100
Short-circuit protection	pulsed
Overload protection	yes
Switching frequency [Hz]	100

**Range**

Sensing range [mm]	14
Real sensing range (Sr) [mm]	14 ± 10 %
Operating distance [mm]	0...11.34

**Accuracy / deviations**

Correction factors	mild steel = 1 / stainless steel approx. 0.7 / brass approx. 0.5 / Al approx. 0.4 / Cu approx. 0.3
--------------------	--

Hysteresis [% of Sr]	3...15
Switch-point drift [% of Sr]	-10...10

**Environment**

Ambient temperature [°C]	0...100
Protection	IP 68 / IP 69K

**Tests / approvals**

EMC	EN 61000-4-2 ESD:	4 kV CD / 8 kV AD
	EN 61000-4-3 HF radiated:	10 V/m
	EN 61000-4-4 Burst:	2 kV
	EN 61000-4-6 HF conducted:	10 V
	EN 55011:	class B
MTTF [Years]	1473	

**Mechanical data**

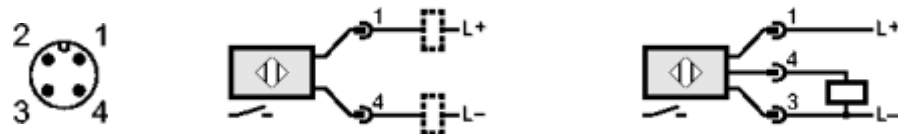
Mounting	flush mountable
Housing materials	stainless steel (316L); active face: PEEK (polyether ether ketone)
Weight [kg]	0.13

**Displays / operating elements**

Output status indication LED	yellow (4 x 90°)
Setting aid LED	Red

**Electrical connection**

Connection	M12 connector; Gold-plated contacts
------------	-------------------------------------

**Wiring****Accessories**

Accessories (included)	2 lock nuts
------------------------	-------------

**Remarks**

Remarks	suitable for PLC type 1 according to IEC 61131-2
Pack quantity [piece]	1

ifm electronic gmbh • Friedrichstraße 1 • 45128 Essen — We reserve the right to make technical alterations without prior notice. — GB — IIT204 — 15.04.2013