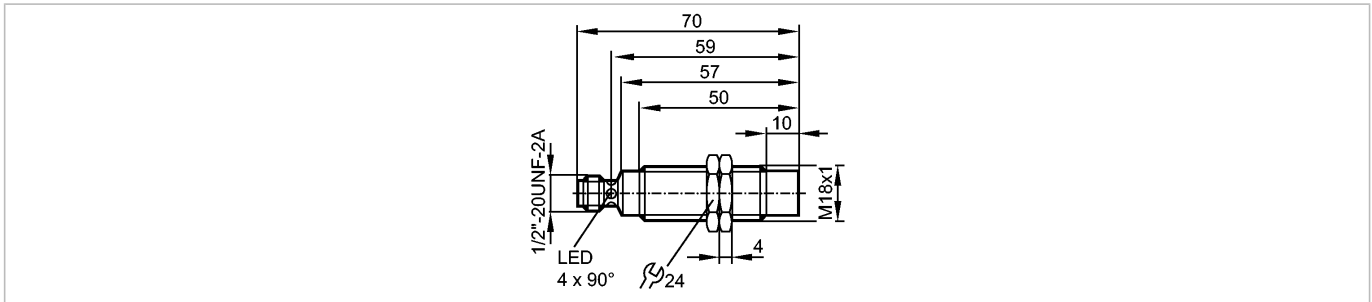


IGT001

IGK2012-ARKA/MV4A/LS-104AK

Inductive sensors



Product characteristics

Inductive sensor
Metal thread M18 x 1
Quick disconnect
Sensing range 12 mm; [nf] non-flush mountable

Electrical data

Electrical design	AC/DC
Operating voltage [V]	20...140 AC/DC
Protection class	II
Reverse polarity protection	yes

Outputs

Output function	normally open
Voltage drop [V]	< 5.5
Minimum load current [mA]	5
Leakage current [mA]	< 1

Current rating

- Current rating (continuous) [mA]	80; 200 (...80 °C)
- Current rating (peak) [mA]	î: 1.2 A (20 ms / 0.5 Hz)
Short-circuit protection	yes (non-latching)
Overload protection	yes
Switching frequency [Hz]	25 AC / 300 DC

Monitoring range

Sensing range [mm]	12
Real sensing range (Sr) [mm]	12 ± 10 %
Operating distance [mm]	0...9.7

Accuracy / deviations

Correction factors	mild steel = 1 / stainless steel approx. 0.7 / brass approx. 0.5 / aluminium approx. 0.4 / copper approx. 0.3
Hysteresis [% of Sr]	1...20
Switch-point drift [% of Sr]	-10...10

Reaction times

Power-on delay time [s]	1
-------------------------	---

Environment

Ambient temperature [°C]	0...100
Protection	IP 68 / IP 69K; "COP"

Tests / approvals

EMC	EN 61000-4-2 ESD:	4 kV CD / 8 kV AD
-----	-------------------	-------------------

IGT001

IGK2012-ARKA/MV4A/LS-104AK

Inductive sensors

	EN 61000-4-3 HF radiated:	10 V/m
	EN 61000-4-4 Burst:	2 kV
	EN 61000-4-5 Surge:	0.5 kV (line to line, Ri: 20hm)
	EN 61000-4-6 HF conducted:	10 V
	EN 55011:	class B
MTTF	[Years]	394

Mechanical data

Mounting	non-flush mountable	
Housing materials	threaded sleeve: stainless steel (316L); active face: PEEK (polyether ether ketone); lock nuts: high-grade stainless steel	
Weight	[kg]	0.06

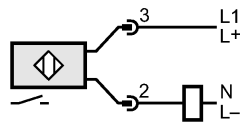
Displays / operating elements

Output status indication	LED	yellow (4 x 90°)
--------------------------	-----	------------------

Electrical connection

Connection	1/2" UNF-Connector	
------------	--------------------	--

Wiring



Accessories

Accessories (included)	2 lock nuts	
------------------------	-------------	--

Remarks

Pack quantity	[piece]	1
---------------	---------	---